



PowerBoss®
The Power of Clean



Parts Catalog

Phoenix 26

Walk-Behind Scrubber

PowerBoss®, Minuteman International, Inc.
A Member of the Hako Group

#988026PB Rev. E 06/22

PREFACE

Thank you for your purchase of the new industry standard for scrubber/sweepers. PowerBoss® takes great pride in offering the most dependable, reliable and best value in industrial power scrubbers and sweepers. We set the standard.

Our Customer Service Department would like to hear from you. If you see any errors, omissions or something that needs clarification in this Parts Catalog please let us know. We are working hard towards continually improving our processes to bring you the best you deserve. Please copy the form below, fill out and comment on how you found our catalog.

Thank you!
The PowerBoss Team

Name: _____

Title: _____

Company Name: _____

Address: _____

Country: _____

Type of equipment or model number: _____

Comments: _____

Please return to:
Customer Service Manager
PowerBoss®, Minuteman International, Inc.
14N845 U.S. Route 20
Pingree Grove, Illinois 60140 USA

Phone: (800) 323-9420
Email: tech@powerboss.com

TECHNICAL SPECIFICATIONS

Model: Phoenix 26 Walk-Behind Scrubber
Model No.: PHX26DQP, PHX26DQPG

This is the Parts Catalog for the PowerBoss® Phoenix 26 Walk-Behind Scrubber machine.

This catalog covers all Standard Phoenix 26 machine variations.

We believe this machine will provide excellent service for many years. Best results will be obtained if:

- The machine is operated with reasonable care.
- The machine is maintained regularly per the maintenance schedule provided in the User Manual.
- The machine is maintained with PowerBoss® supplied or equivalent parts.

All information contained in this catalog is current at the time of printing.

Minuteman International, Inc. reserves the right to make changes at any time without notice.

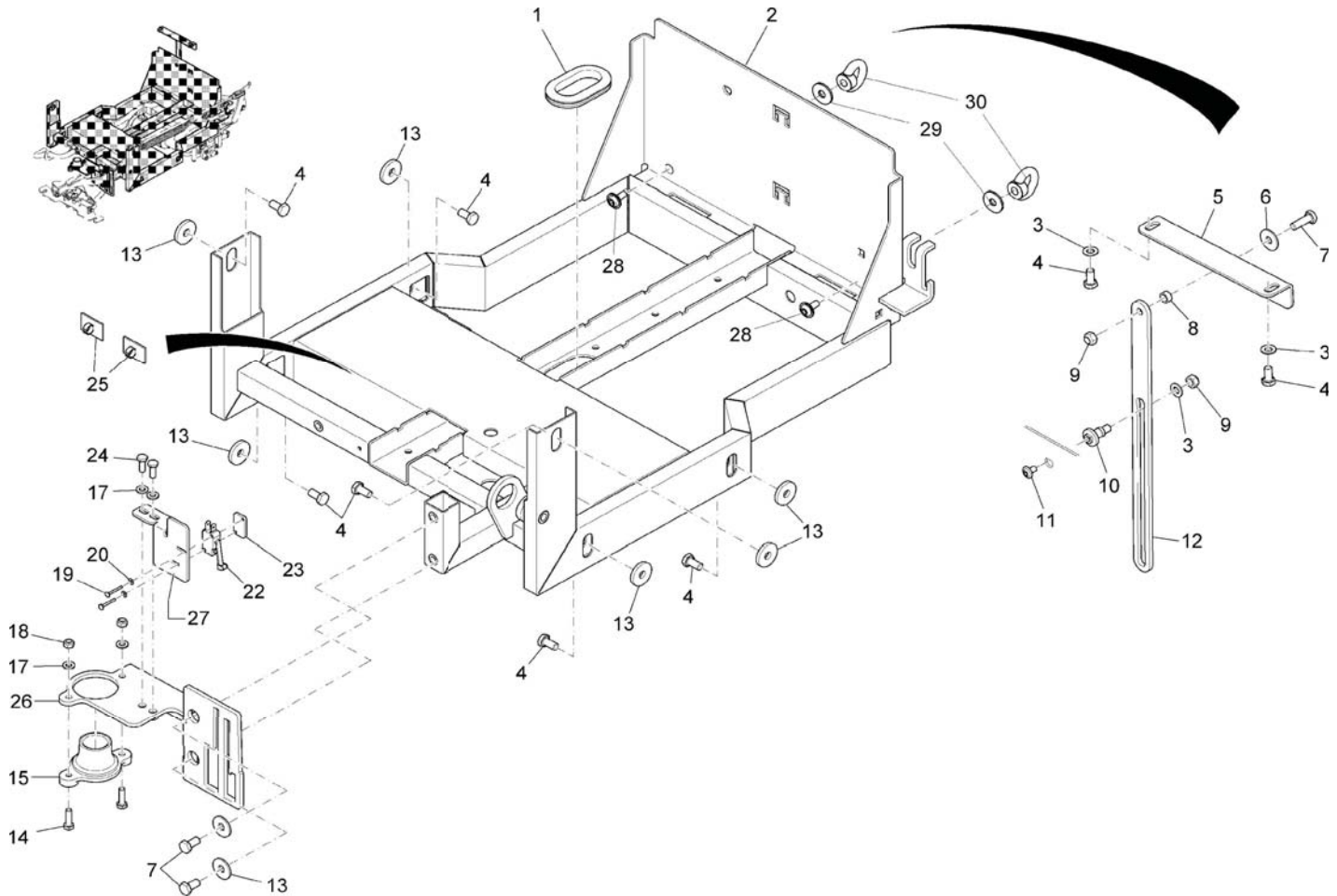
PowerBoss®, Minuteman International, Inc., Copyright 2014-2015, Printed in USA

TABLE OF CONTENTS

PREFACE	2
TECHNICAL SPECIFICATIONS	3
PARTS BREAKDOWN	6
CHASSIS ASSEMBLY I	6
CHASSIS ASSEMBLY II	8
CHASSIS ASSEMBLY III	10
CHASSIS - WATER FEED SYSTEM	12
CHASSIS - LIFT PEDAL	14
CHASSIS - BRUSH PRESSURE ADJUSTMENT	15
CHASSIS - SQUEEGEE CONNECTION I	16
CHASSIS - SQUEEGEE CONNECTION II	18
BATTERIES AND BATTERY TRAY	19
SOLUTION TANK ASSEMBLY	20
RECOVERY TANK ASSEMBLY	22
VACUUM MOTOR ASSEMBLY	24
SQUEEGEE LIFT HANDLE ASSEMBLY	26
SQUEEGEE ASSEMBLY I	27
SQUEEGEE ASSEMBLY II	28
CONTROL PANEL ASSEMBLY	30
CONTROL PANEL SUBASSEMBLY	31
ELECTRICAL ASSEMBLY I	32
RETAINER SUBASSEMBLY	34
ELECTRICAL ASSEMBLY II	36
BATTERY CHARGER ASSEMBLY	38
DECK COVER ASSEMBLY	39
SOLUTION CONTROL ASSEMBLY	40
DECALS	41
DISC SCRUB DECK ASSEMBLY I	42
DISC SCRUB DECK ASSEMBLY II	44

PARTS BREAKDOWN

CHASSIS ASSEMBLY I

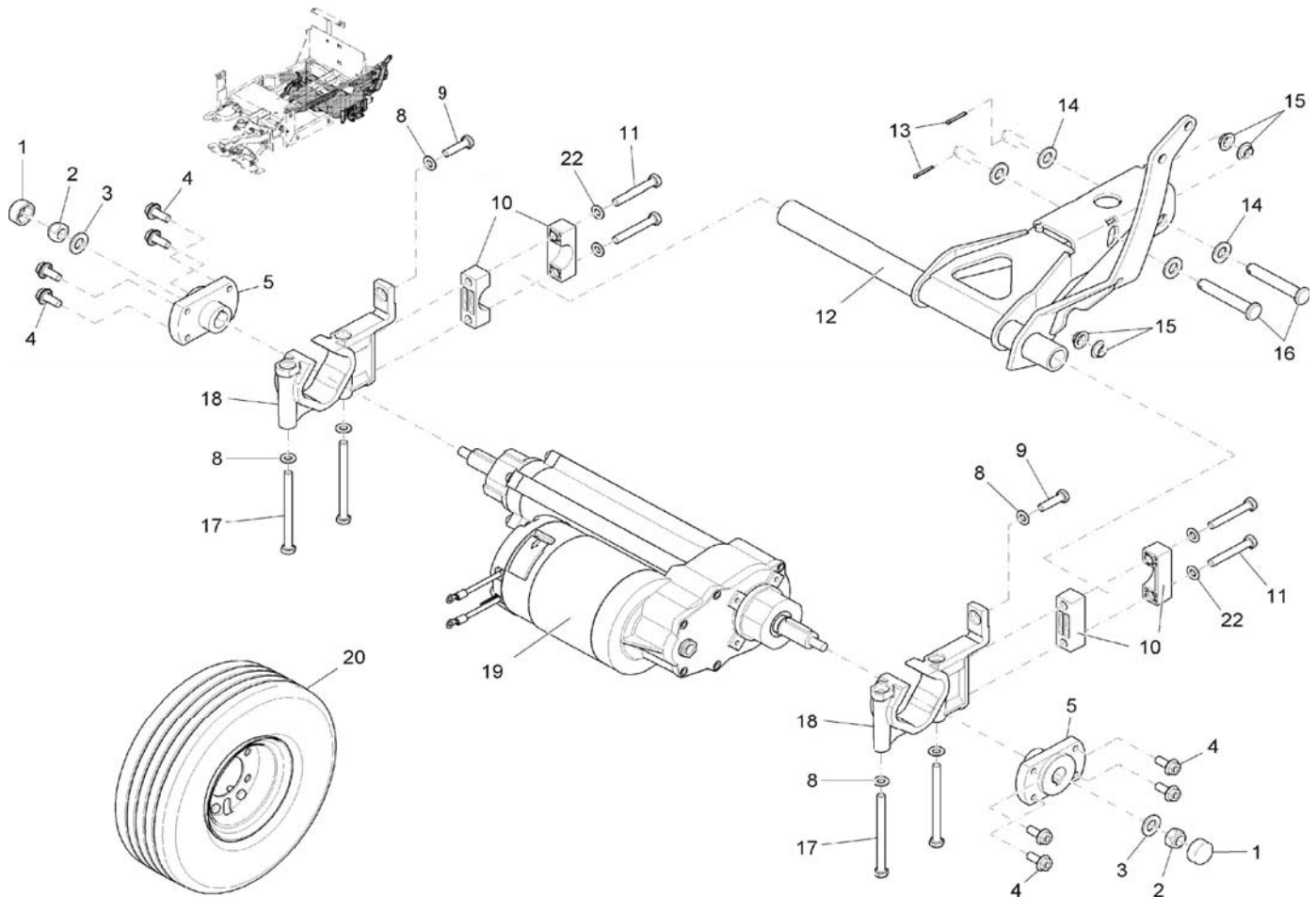


REV K

CHASSIS ASSEMBLY I BOM

Parts List			
ITEM	PART NUMBER	QTY	DESCRIPTION
1	90513367	1	GROMMET
2	96116405	1	CHASSIS WELDMENT, PAINTED
3	12310041	7	WASHER-FLAT M8.4 X 16 X 1.6 ZP
4	11038197	14	BLT-HH M8 X 1.25 X 16 STL ZD 8.8 DIN 933
5	90503160	1	BRACKET, TANK SUPPORT MOUNT
6	12332029	3	WSR-FLT M8.4 X 24 X 2 STL 140HV ZD DIN 9
7	11038247	3	SCR-HH M8-1.25 X 25 ZP CLASS 8.8
8	90473158	1	BUSHING
9	12040051	2	NUT-NYLOC M8 X 1.25 ZP CLASS 8
10	90513243	1	BUSHING
11	11177179	1	SCR-BHCS W/FLANGE M6 X 1.0 X 10 304SS
12	90495268	1	BAR, TANK SUPPORT
13	12515086	10	WSR-CONICAL SPR W/TOOTH M9.2 X 26 X 2 S
14	11038098	2	SCR-HH M6-1.0 X 20 ZP CLASS 8.8 DIN
15	90508391	1	BUSHING, CABLE GUIDE, HAKO
17	12310033	4	WASHER-FLAT M6.4 X 12 X 1.6 ZP
18	12040044	2	NUT-NYLOC M6 X 1.0 ZP CLASS 6
19	11039088	2	BLT-HH M3 X 0.5 X 20 8.8 ZP DIN 933
20	12310132	2	WSR-FLT M3.2 X 7 X 0.5 STL 140HV ZD DIN
22	90636234	1	MICRO SWITCH
23	90471483	1	PLATE, THREADED SWITCH MOUNT SS
24	11038072	2	SCR-HH M6-1.0 X 16 ZP CLASS 8.8
25	17526070	2	CABLE CLIP, .25 ID HOLE MOUNT-0.275
26	96117387	1	PEDAL LOCKING BRACKET
27	90540931	1	BRACKET, SWITCH MOUNT
28	11177128	2	SC-BHCS W/ FLANGE M8 X 1.25 X 16 STL ZD
29	12332029	2	WSR-FLT M8.4 X 24 X 2 STL 140HV ZD DIN 9
30	12160024	2	NUT-EYE M8 X 1.25 STL ZINC C15 DIN 582

CHASSIS ASSEMBLY II

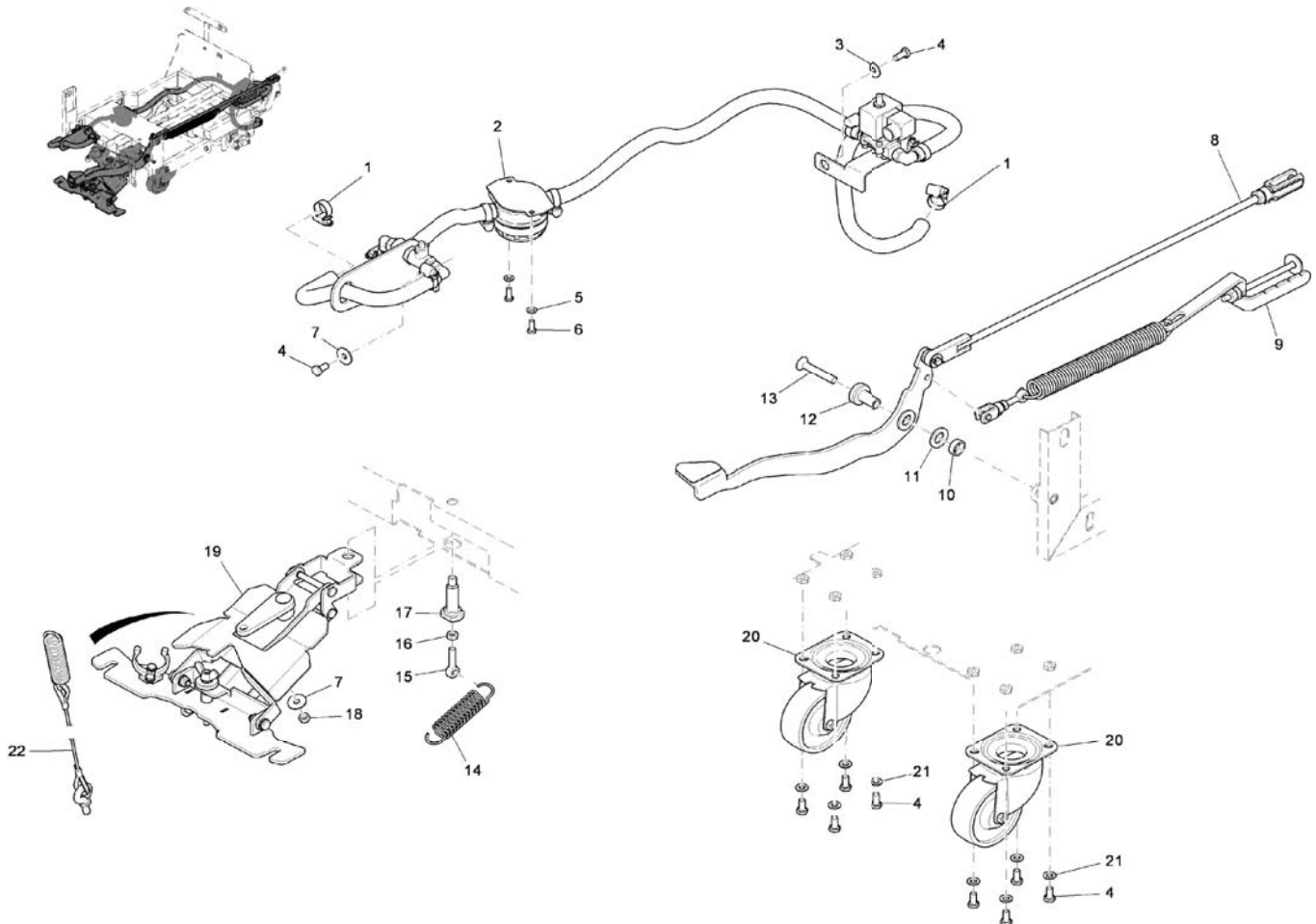


REV B

CHASSIS ASSEMBLY II BOM

Parts List			
ITEM	PART NUMBER	QTY	DESCRIPTION
1	15592058	2	PROTECTION CAP
2	12040077	2	NUT-NYLOC M12 X 1.75 ZD CLASS 8
3	12310066	2	WSR-FLT M13 X 24 X 2.5 STL 140HV ZD DIN
4	11717022	8	BLT-HH SERRATED FLANGE M8X1.25X20 ZD
5	90543000PTD	2	WHEEL HUB, PAINTED
8	12310041	8	WASHER-FLAT M8.4 X 16 X 1.6 ZP
9	11038254	2	SCR-HH M8-1.25 X 30 ZP CLASS 8.8
10	90547811	4	BEARING BLOCK, NYLON
11	11038296	4	BLT-HH M8 X 1.25 X 50 STL ZD 8.8 DIN 933
12	96120738	1	LEVER WELDMENT, E26 DECK LIFT
13	600578	2	RING-RUE .50 ZP
14	12310066	4	WSR-FLT M13 X 24 X 2.5 STL 140HV ZD DIN
15	14895478	4	SLIDE BEARING BUSH
16	13328851	2	PIN-CLEVIS M12 X 75 STL ZD DIN 1444
17	11032273	4	BLT-HH M8 X 1.25 X 100 STLZD 8.8 DIN 931
18	90512062	2	TRANSAXLE MOUNTING BRACKET, AMER
19	90531609	1	TRANSAXLE, AMER, E2426
20	96118849	2	WHEEL, 250X79, SOLID URETHANE YELLOW
22	12332029	4	WSR-FLT M8.4 X 24 X 2 STL 140HV ZD DIN 9

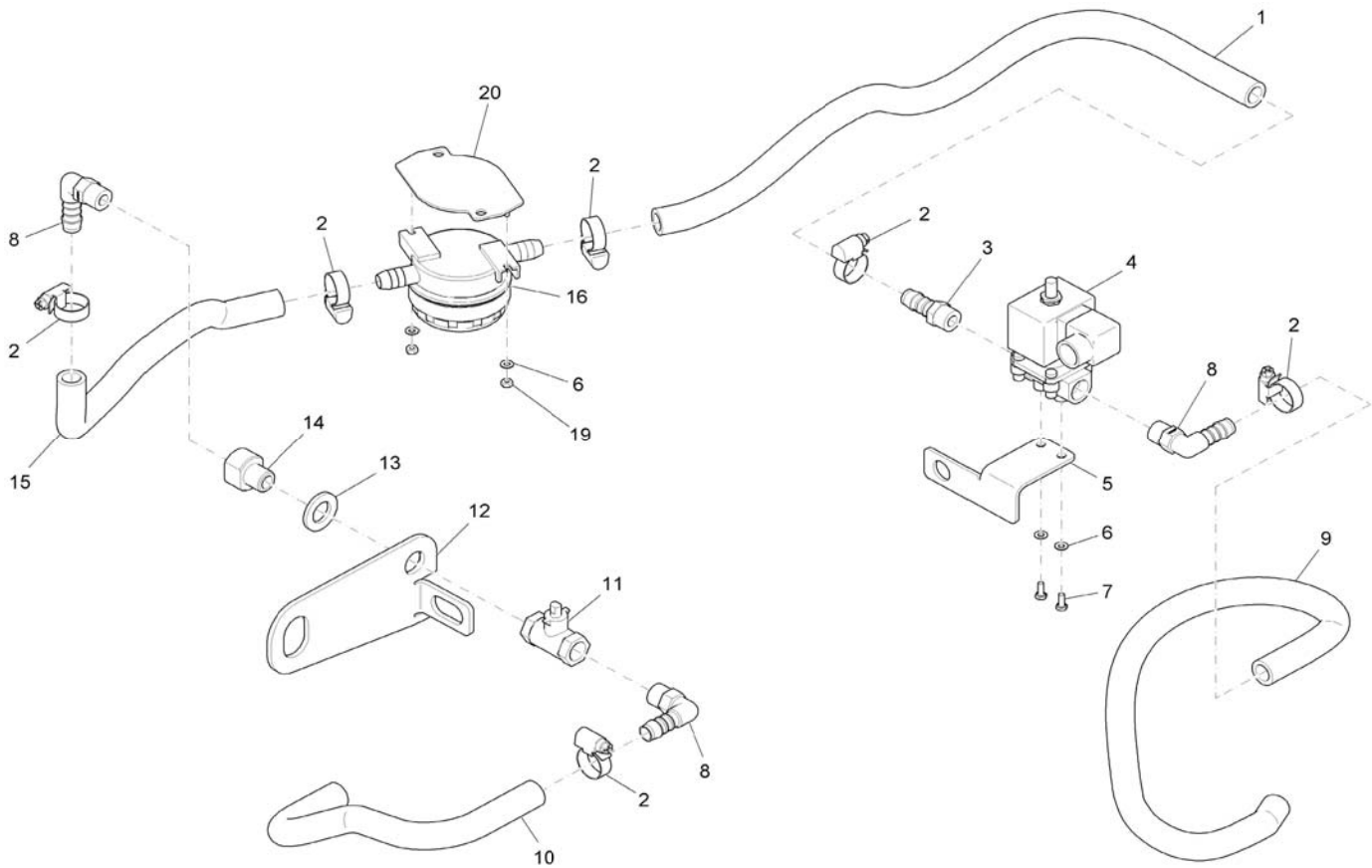
CHASSIS ASSEMBLY III



CHASSIS ASSEMBLY III BOM

Parts List			
ITEM	PART NUMBER	QTY	DESCRIPTION
1	3302144	2	CLAMP - SCREW .5" to 1.06" DIA 201SS
2	97090161	1	WATER SUPPLY
3	12332029	1	WSR-FLT M8.4 X 24 X 2 STL 140HV ZD DIN 9
4	11038197	2	BLT-HH M8 X 1.25 X 16 STL ZD 8.8 DIN 933
5	12310033	2	WASHER-FLAT M6.4 X 12 X 1.6 ZP
6	11038072	2	SCR-HH M6-1.0 X 16 ZP CLASS 8.8
7	12332029	2	WSR-FLT M8.4 X 24 X 2 STL 140HV ZD DIN 9
8	96117379	1	LIFTING PEDAL, COMPL.
9	97094791	1	PRESSURE ADJUSTMENT ASSY
10	90509027	1	SPACER-17 ID X 22 OD X 7.5 ZINC
11	12310082	1	WSR-FLT M17 X 30 X 3 STL 140HV ZDDIN125A
12	90509522	1	BUSHING, PEDAL PIVOT
13	11225620	1	SCR-FHCS M10 X 1.5 X 60 FULL THRD ZP
14	90523333	1	SPRING, TENSION
15	11518180	1	BLT-EYE M8 X 1.25 X 40 STL ZINC 4.6 DIN
16	12022059	1	NUT-HEX M8 X 1.25 STL ZD CL8 DIN 934
17	90513573	1	PIVOT
18	12040051	1	NUT-NYLOC M8 X 1.25 ZP CLASS 8
19	97103568	1	SQUEEGEE MECHANISM, E2426
20	90515131	2	CASTER
21	12310041	2	WASHER-FLAT M8.4 X 16 X 1.6 ZP
22	96112370	1	CABLE, SQUEEGEE LIFT

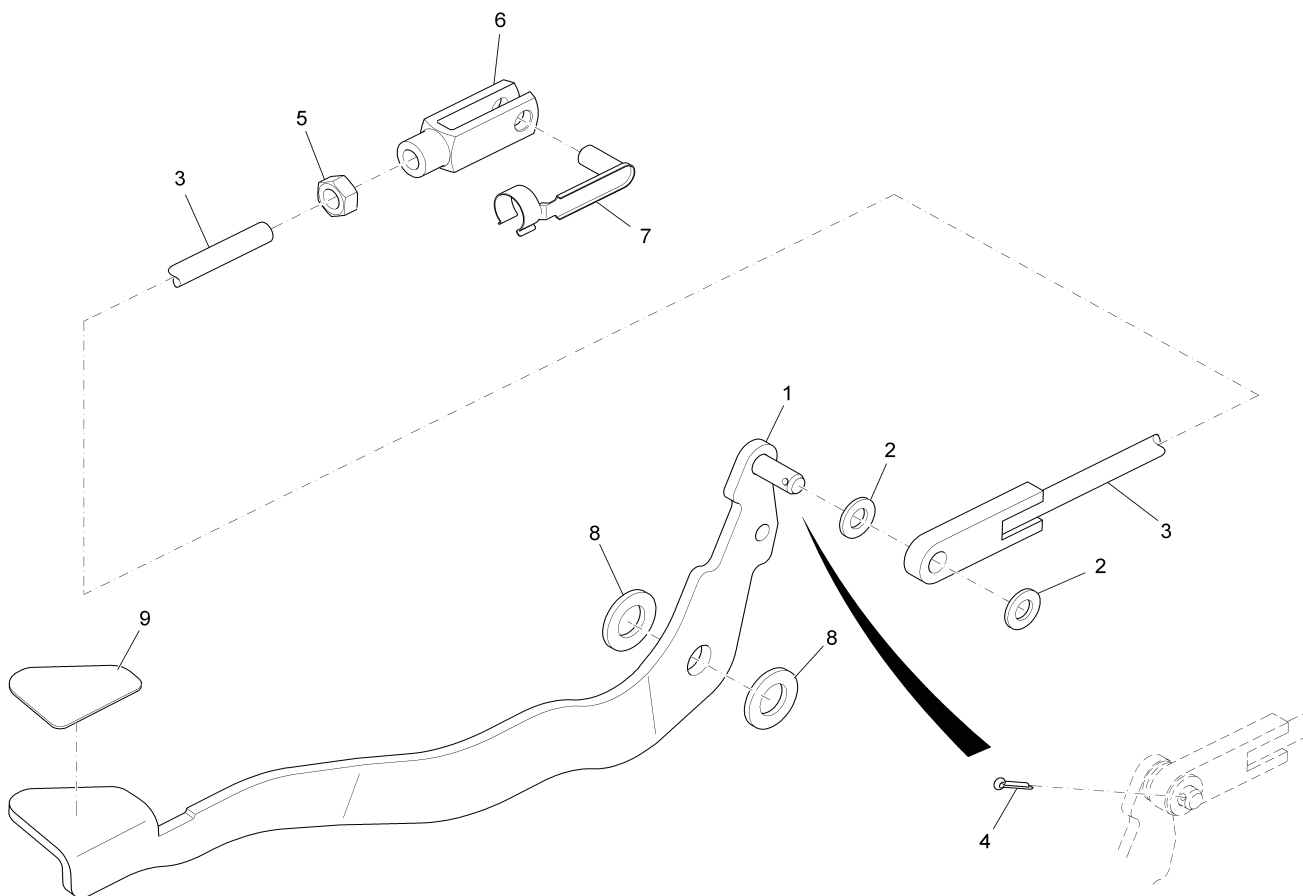
CHASSIS - WATER FEED SYSTEM



CHASSIS - WATER FEED SYSTEM BOM

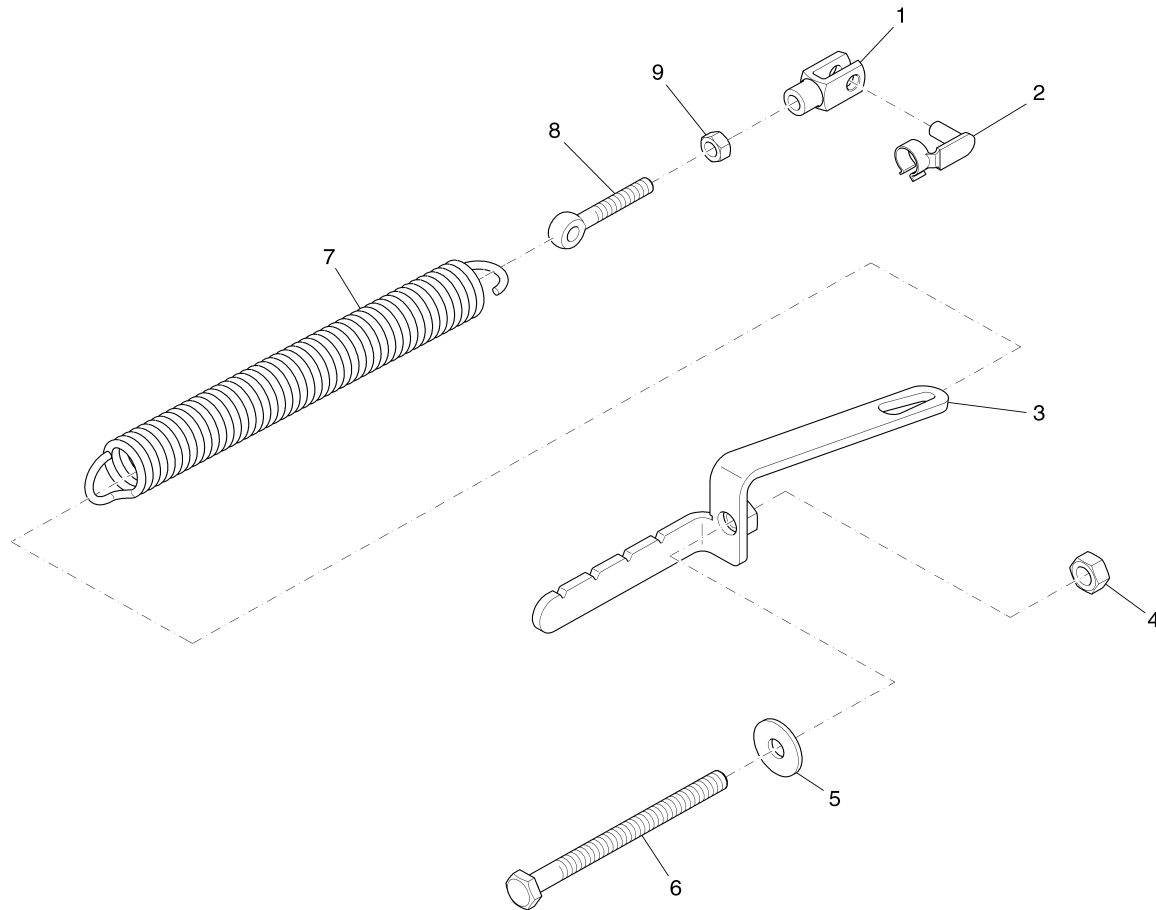
Parts List			
ITEM	PART NUMBER	QTY	DESCRIPTION
1	25842055	560mm	PVC HOSE
2	3302144	6	CLAMP - SCREW .5" to 1.06" DIA 201SS
3	90310665	1	FITTING, 3/8BSP X 1/2 (12MM) HOSE PA6
4	90435595	1	SOLENOID, 24VDC FDM(VITON) DIN43650
5	90540956	1	BRACKET, SOLENOID VALVE
6	12310017	4	WSR-FLT M4.3 X 9 X 0.8 STL 140HV ZD DIN
7	11038965	2	BLT-HH M4 X 0.7 X 10 STL ZD 8.8 DIN 933
8	90174970	3	FTG-ELBOW 90 3/8 MPT X 1/2 HB PP
9	25842055	540mm	PVC HOSE
10	25842055	280mm	PVC HOSE
11	90521576	1	BALL VALVE
12	90507344	1	BRACKET, BALL VALVE
13	12310082	1	WSR-FLT M17 X 30 X 3 STL 140HV ZDDIN125A
14	90517657	1	FITTING, THREADED
15	25842055	340mm	PVC HOSE
16	97113377	1	FILTER ASSY, WATER
19	12040028	2	NUT-NYLOC M4 X 0.7 STL ZD CL6 DIN 985
20	96115035	1	BRACKET, WATER FILTER

CHASSIS - LIFT PEDAL



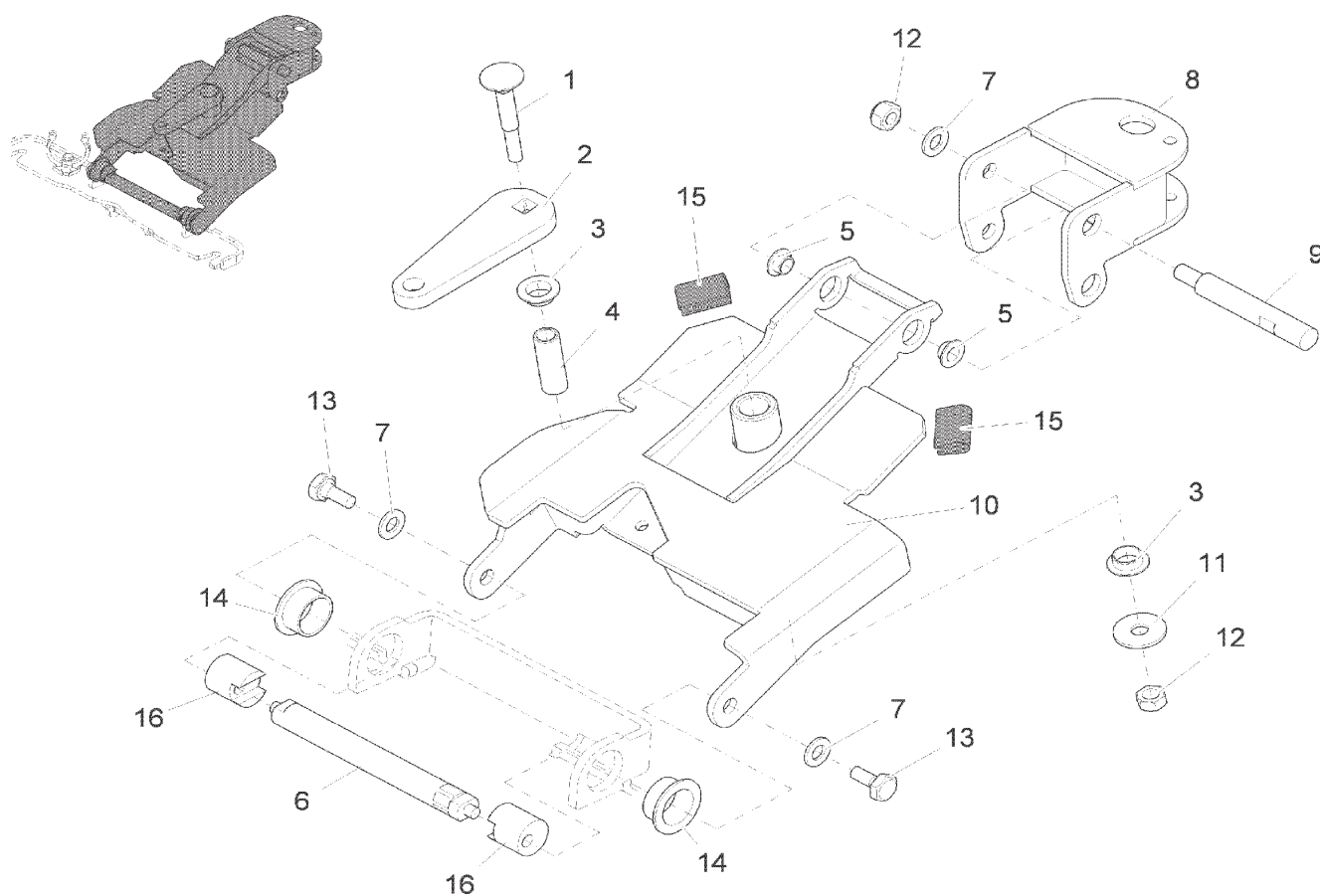
Parts List			
ITEM	PART NUMBER	QTY	DESCRIPTION
1	96117361	1	LIFTING PEDAL, COMPLETE
2	12310058	2	WASHER-FLAT M10.5 X 20 X 2 ZP
3	96111877	1	ROD WELDMENT, DECK LIFT LINKAGE
4	13280110	1	PIN-COTTER M3.2 X 16 STL ZD ISO 1234
5	12022067	1	NUT-HEX M10 X 1.5 ZD CLASS 8
6	16055063	1	CLEVIS YOKE M10 X 40 STL ZD DIN 71752
7	13390042	1	ES-BOLT-10X40-ESN 01 A2G
8	90510017	2	WASHER, RUBBER 16.5 X 30 X 3
9	90518580	1	DECAL, PEDAL ANTI-SLIP

CHASSIS - BRUSH PRESSURE ADJUSTMENT



Parts List			
ITEM	PART NUMBER	QTY	DESCRIPTION
1	16055089	1	CLEVIS YOKE
2	13390059	1	S-BOLT 8X16
3	96111505	1	BRACKET, PRESSURE ADJUST
4	12022067	1	NUT-HEX M10 X 1.5 ZD CLASS 8
5	12332037	1	WSR-FLT M10.5 X 30 X 2.5 STL 140HV ZD DI
6	11039716	1	BLT-HH M10 X 1.5 X 130 FULL THD STL ZD
7	90504242	1	TENSION SPRING
8	11518016	1	BLT-EYE M8 X 1.25 X 55 STL ZD 8.8 DIN 44
9	12022059	1	NUT-HEX M8 X 1.25 STL ZD CL8 DIN 934

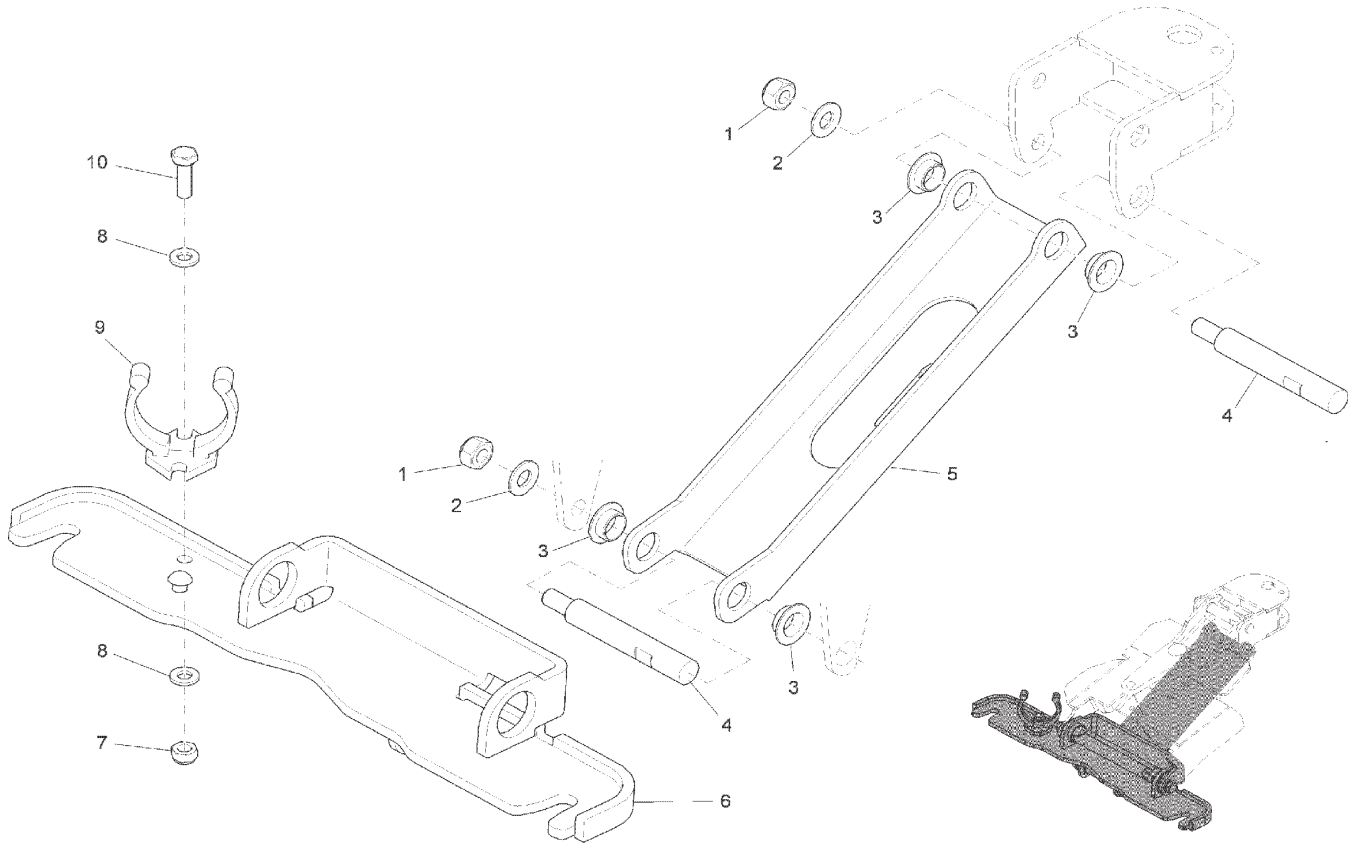
CHASSIS - SQUEEGEE CONNECTION I



CHASSIS - SQUEEGEE CONNECTION I

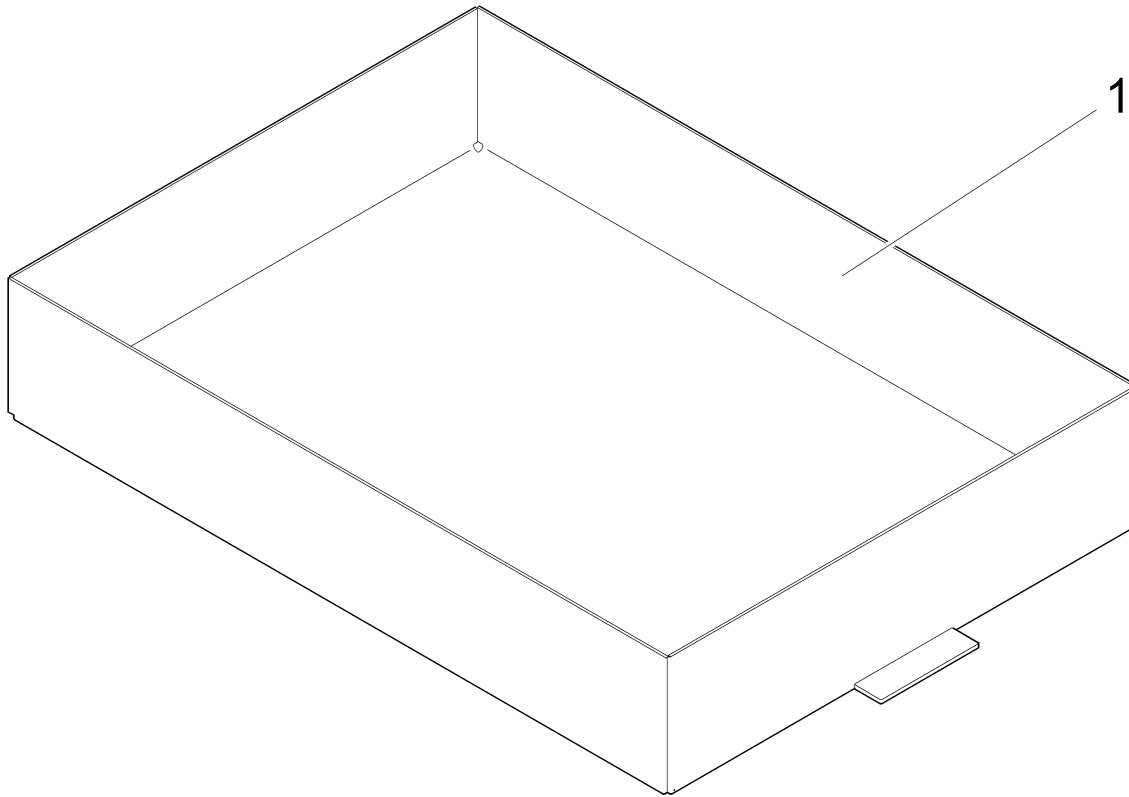
Parts List			
ITEM	PART NUMBER	QTY	DESCRIPTION
1	11620564	1	BLT-CAR M8 X 1.25 X 55 STL ZD 8.8 DIN603
2	90521790	1	CABLE ATTACH PIVOT
3	14895478	2	SLIDE BEARING BUSH
4	90547886	1	BUSHING, M12 X 1.8 X 35.5
5	14895197	2	BUSHING-FLG M12 X 14 X 20-7 AMV BV
6	90546847	1	SHAFT
7	730609	3	WASHER-FLAT M8 SS
8	96119938	1	SQUEEGEE MECHANISM MOUNT WELDMENT
9	90547381	3	THREADED PIN
10	96121835-1	1	BRACKET, WELD, PIVOTING SQUEEGEE MTG
11	12332029	1	WSR-FLT M8.4 X 24 X 2 STL 140HV ZD DIN 9
12	12040259	4	NUT-NYLOC M8 X 1.25 SS
13	11039609	2	BLT-HH M8 X 1.25 X 16 304SS DIN 933
14	14895361	2	BUSHING-FLG
15	25582024-1	60mm	EDGE PROTECTION
16	90547399	2	ECCENTRIC

CHASSIS - SQUEEGEE CONNECTION II



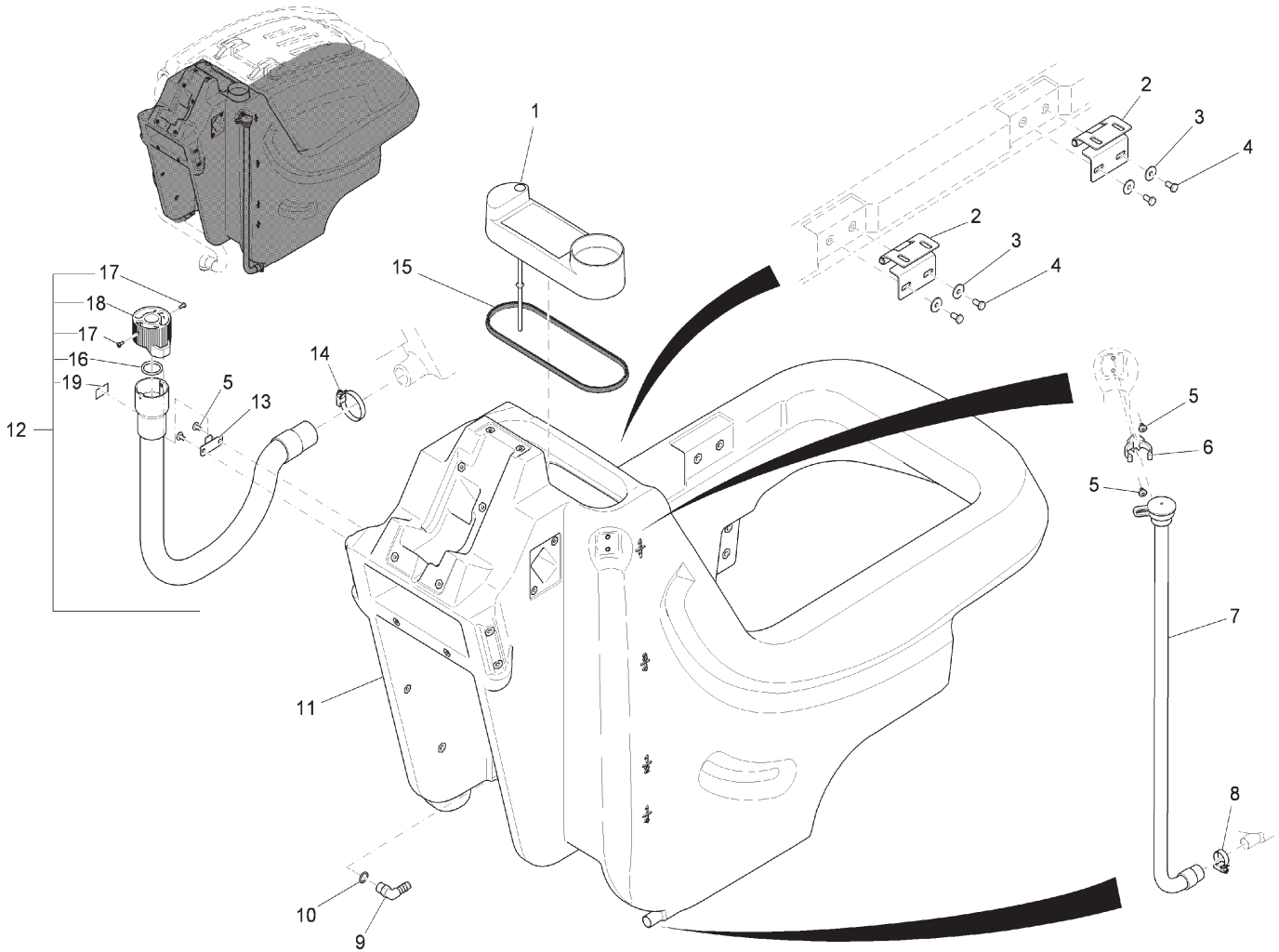
Parts List			
ITEM	PART NUMBER	QTY	DESCRIPTION
1	12040259	2	NUT-NYLOC M8 X 1.25 SS
2	730609	2	WASHER-FLAT M8 SS
3	14895197	2	BUSHING-FLG M12 X 14 X 20-7 AMV BV
4	90547381	3	THREADED PIN
5	90543521	1	CONTROL ARM
6	96120993	1	SQUEEGEE ATTACH WELDMENT
7	12040044	1	NUT-NYLOC M6 X 1.0 ZP CLASS 6
8	12310033	2	WASHER-FLAT M6.4 X 12 X 1.6 ZP
9	90503251	1	HOSE SUPPORT
10	11038098	1	SCR-HH M6-1.0 X 20 ZP CLASS 8.8 DIN

BATTERIES AND BATTERY TRAY



Parts List			
ITEM	PART NUMBER	QTY	DESCRIPTION
1	96117643	1	BATTERY TRAY
**	956755	4	BATTERY, 6V 220AH, EVGC6A-A (MODEL PHX26DA)

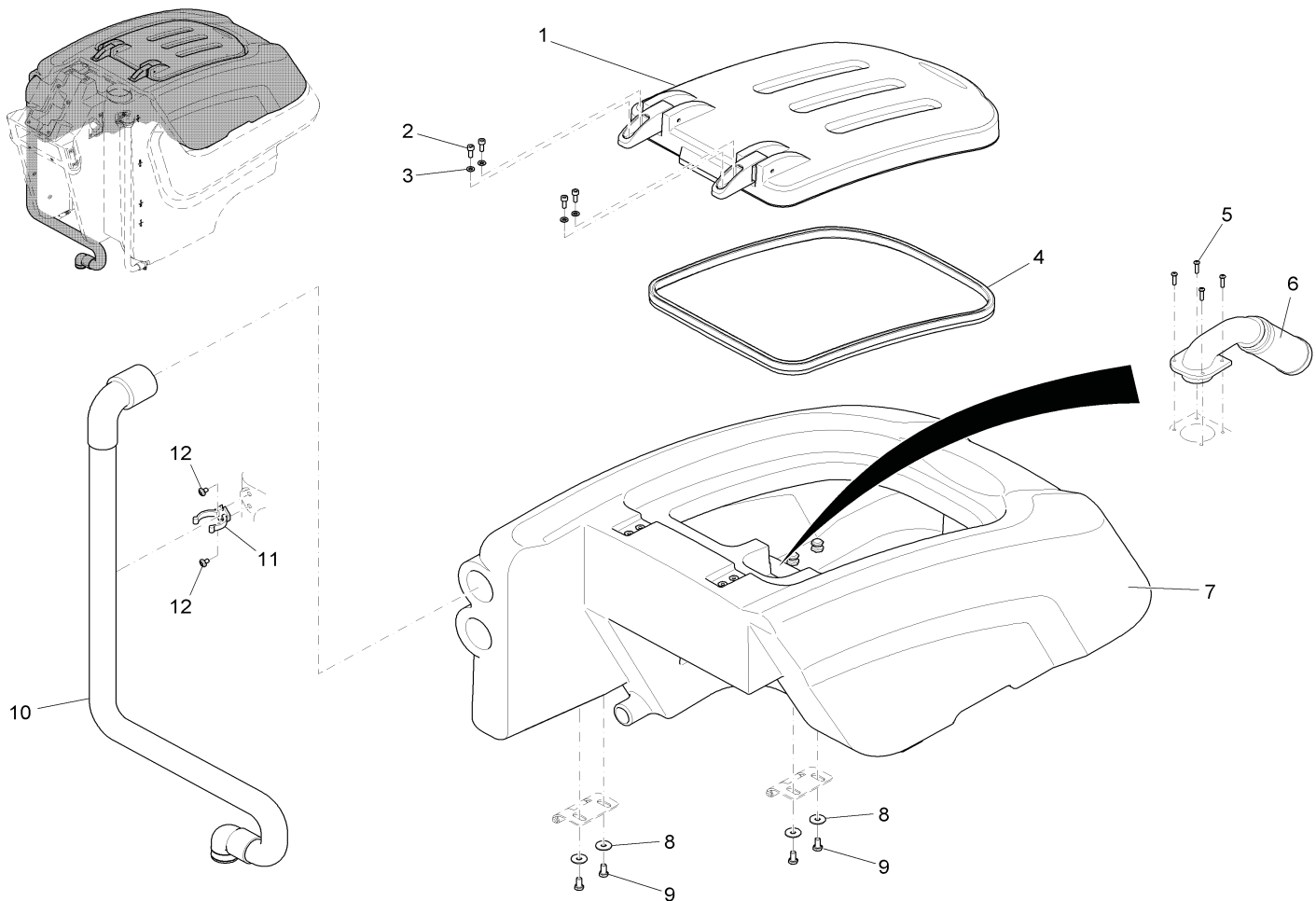
SOLUTION TANK ASSEMBLY



SOLUTION TANK ASSEMBLY BOM

Parts List			
ITEM	PART NUMBER	QTY	DESCRIPTION
1	96114061	1	SOLUTION TANK LID ASSY
2	90496910	2	HINGE, RECOVERY TANK
3	12332029	4	WSR-FLT M8.4 X 24 X 2 STL 140HV ZD DIN 9
4	11038197	4	BLT-HH M8 X 1.25 X 16 STL ZD 8.8 DIN 933
5	11177179	4	SCR-BHCS W/FLANGE M6 X 1.0 X 10 304SS
6	90503251	1	HOSE SUPPORT
7	96109541	1	HOSE
8	3300535	1	CLAMP - SCREW .5" to 1.25" DIA 201SS
9	90174970	1	FTG-ELBOW 90 3/8 MPT X 1/2 HB PP
10	15286149	1	O-RING, 15MM X 2.5MM, 85 SHORE
11	96117734	1	SOLUTION TANK E2426
12	97090096	1	DRAIN HOSE ASSY, RECOVERY TANK
13	90517574	1	HOOK
14	760245	1	CLAMP - SCREW 1" to 2" DIA 201SS
15	25583022	710mm	EDGE PROTECTION
16	15282072	1	O-RING DIN 3771-30X4-N-NBR55
17	11175395	2	SCR-MC PAN HD M4 X 0.7 X 10 304SSDIN7985
18	90304528	1	COVER
19	17264888	1	DECAL-VALVE OPERAT RECOVERY DRAIN HOSE

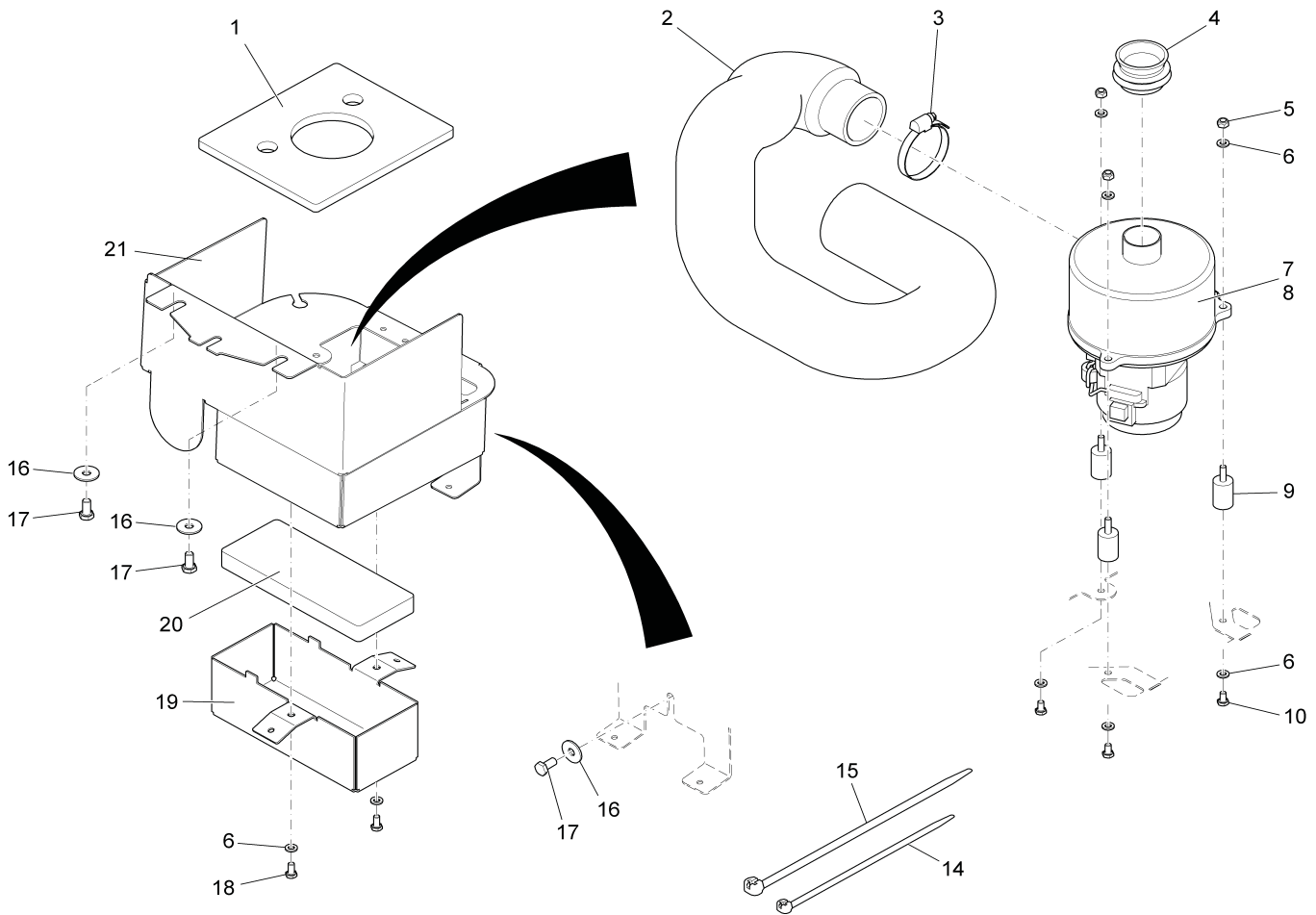
RECOVERY TANK ASSEMBLY



RECOVERY TANK ASSEMBLY BOM

Parts List			
ITEM	PART NUMBER	QTY	DESCRIPTION
1	97106645	1	RECOVERY TANK LID ASSEMBLY
2	11132065	4	SCR-SHCS M6-1.0 X 16 ZD CLASS 8.8
3	12310033	4	WASHER-FLAT M6.4 X 12 X 1.6 ZP
4	25510512	1	GASKET, RUBBER BLADE, PRESS IN
5	11709151	4	SCR-EJOT PT M5 X 20 304SS
6	97118731	1	FILTER UNIT, SCREENED FLOAT
7	96117726HR	1	RECOVERY TANK, PHOENIX 24
8	12332029	4	WSR-FLT M8.4 X 24 X 2 STL 140HV ZD DIN 9
9	11038197	4	BLT-HH M8 X 1.25 X 16 STL ZD 8.8 DIN 933
10	96130901	1	SUCTION HOSE
11	90503251	1	HOSE SUPPORT
12	11177179	2	SCR-BHCS W/FLANGE M6 X 1.0 X 10 304SS

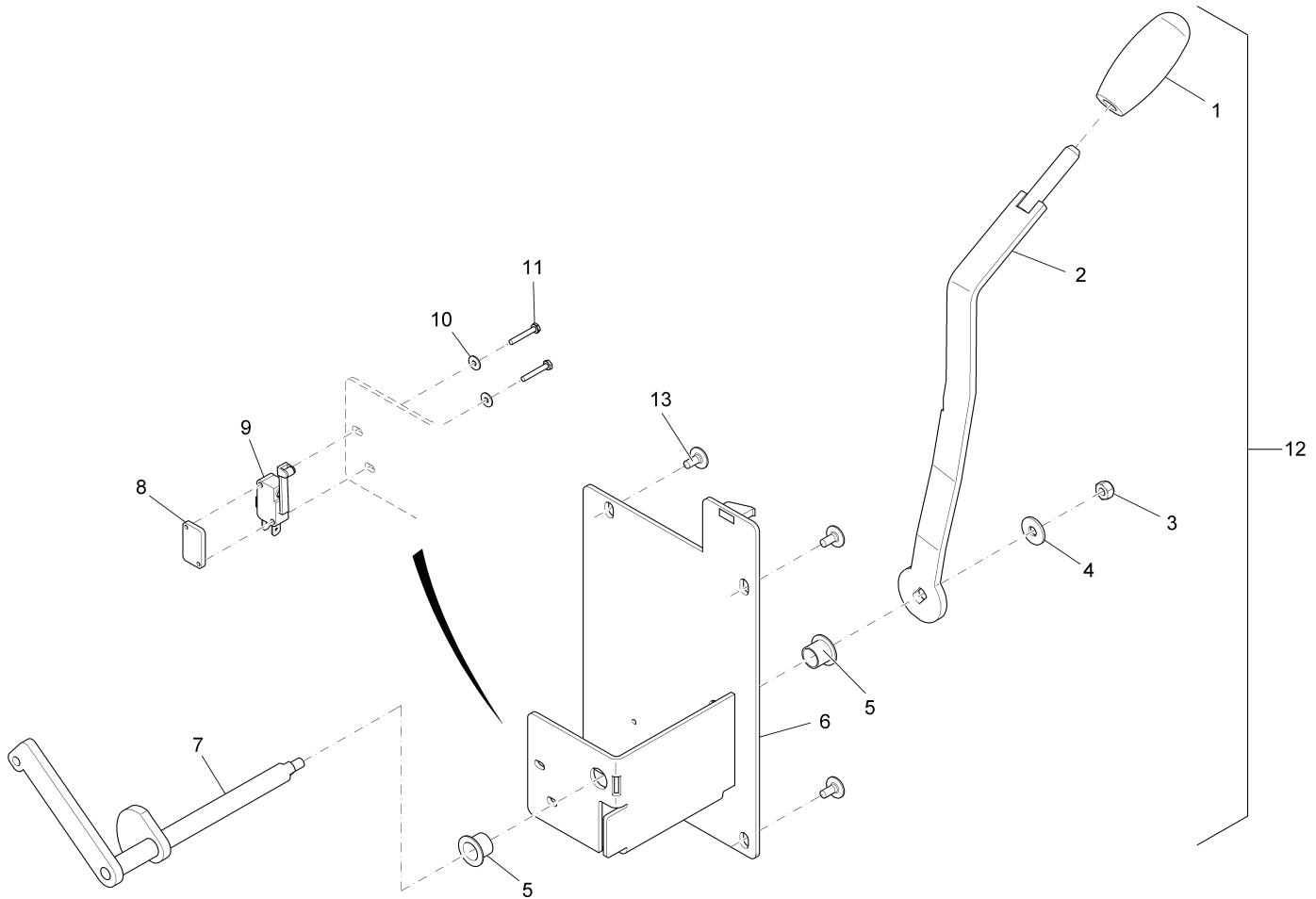
VACUUM MOTOR ASSEMBLY



VACUUM MOTOR ASSEMBLY BOM

Parts List			
ITEM	PART NUMBER	QTY	DESCRIPTION
1	90523945	1	FOAM COVER, E26 VAC MOTOR
2	90519737	1	HOSE, VACUUM EXHAUST
3	3044112	1	CLAMP - SCREW 1.5" to 2.5" DIA 201SS
4	90503657	1	CONNECTION
5	12040044	3	NUT-NYLOC M6 X 1.0 ZP CLASS 6
6	12310033	8	WASHER-FLAT M6.4 X 12 X 1.6 ZP
7	97096200	1	VACUUM MOTOR SUB-ASSY
8	00048840	4	CARBON BRUSH
9	90518457	3	ISOLATOR MOUNT
10	11038056	3	BLT-HH M6 X 1.0 X 10 STL ZD 8.8 DIN 933
14	828062	1	CABLE TIE LARGE
15	90156688	4	CABLE TIE 14" LG BLACK
16	12332029	3	WSR-FLT M8.4 X 24 X 2 STL 140HV ZD DIN 9
17	11038197	3	BLT-HH M8 X 1.25 X 16 STL ZD 8.8 DIN 933
18	11038064	2	BLT-HH M6 X 1.0 X 12 STL ZD 8.8 DIN 933
19	90519653	1	COVER 70771/01
20	90519745	1	INSULATING MAT
21	96114301	1	VACUUM MOUNT WELDMENT

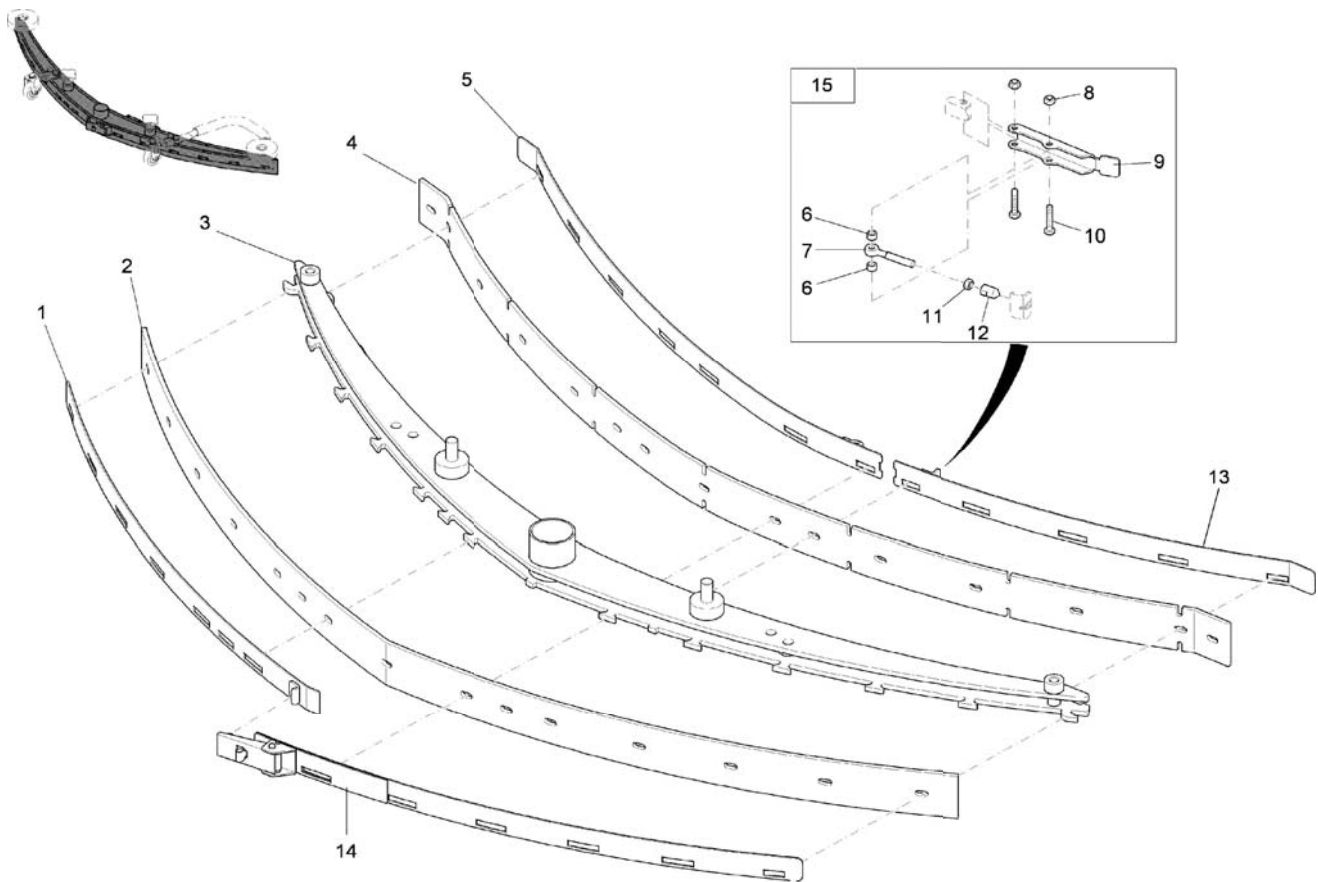
SQUEEGEE LIFT HANDLE ASSEMBLY



Parts List

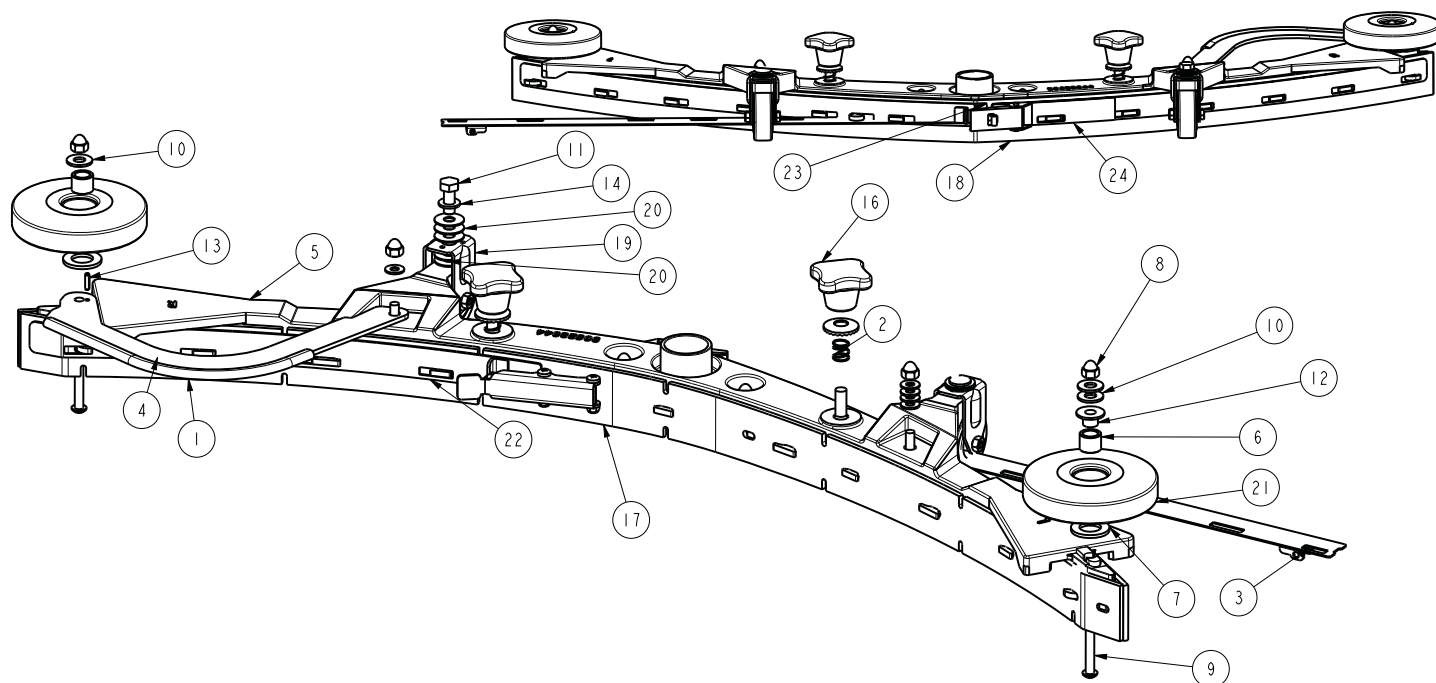
ITEM	PART NUMBER	QTY	DESCRIPTION
1	17143025	1	HANDLE
2	96119581	1	LEVER WELDMENT, SQUEEGEE LIFT
3	12040044	1	NUT-NYLOC M6 X 1.0 ZP CLASS 6
4	12332011	1	WASHER-FLAT M6.4 X 18 X 1.6 ZP
5	14895288	2	BUSH-FLG NYL, GFM-1214-12 (12X14X12X1)
6	96118971	1	SUPPORT PLATE WELDMENT
7	96110705	1	SHAFT WITH CAM
8	90471483	1	PLATE, THREADED SWITCH MOUNT SS
9	90636234	1	MICRO SWITCH
10	12332110	2	WSR-FLT M3.2 X 9 X 0.8 STL 140HV ZD DIN
11	11039088	2	BLT-HH M3 X 0.5 X 20 8.8 ZP DIN 933
12	97102479	1	SQUEEGEE LIFT LEVER ASSY
13	11177179	4	SCR-BHCS W/FLANGE M6 X 1.0 X 10 304SS

SQUEEGEE ASSEMBLY I



Parts List			
ITEM	PART NUMBER	QTY	DESCRIPTION
1	96125844	1	REAR LEFT TENSION BAND 20.559 INCHES
2	01179180	1	SQUEEGEE, REAR, LINATEX, 19G,26ECO,B120
3	172539	1	38" SQG BASE ASSY, C.S
4	01179170	1	SQUEEGEE, FRONT, LINATEX,19G,26ECO,B120
5	96125836	1	FRONT LEFT TENSION BAND 22.755 INCHES
6	430322	2	BUSHING-.435 X .625 X .50 ZINC
7	11518313	1	BLT-EYE M5 X 40 (DIN444-B / SS)
8	712591	2	NUT-ACORN 1/4-20 SS
9	172234	1	LEVER - 90535758
10	712592	2	SCR-BHSCS 1/4-20 X 2.25 SS
11	12022430	1	NUT-HEX M5 X 0.8 316SS DIN 934
12	90513631	1	PRESSURE PIECE
13	96125828	1	FRONT RIGHT TENSION BAND 15.327 INCHES
14	96125851	1	REAR RIGHT TENSION BAND W/ LATCH 19.484"
15	172448	1	STRAP W/ LATCH, FRONT LEFT, 38" SQG

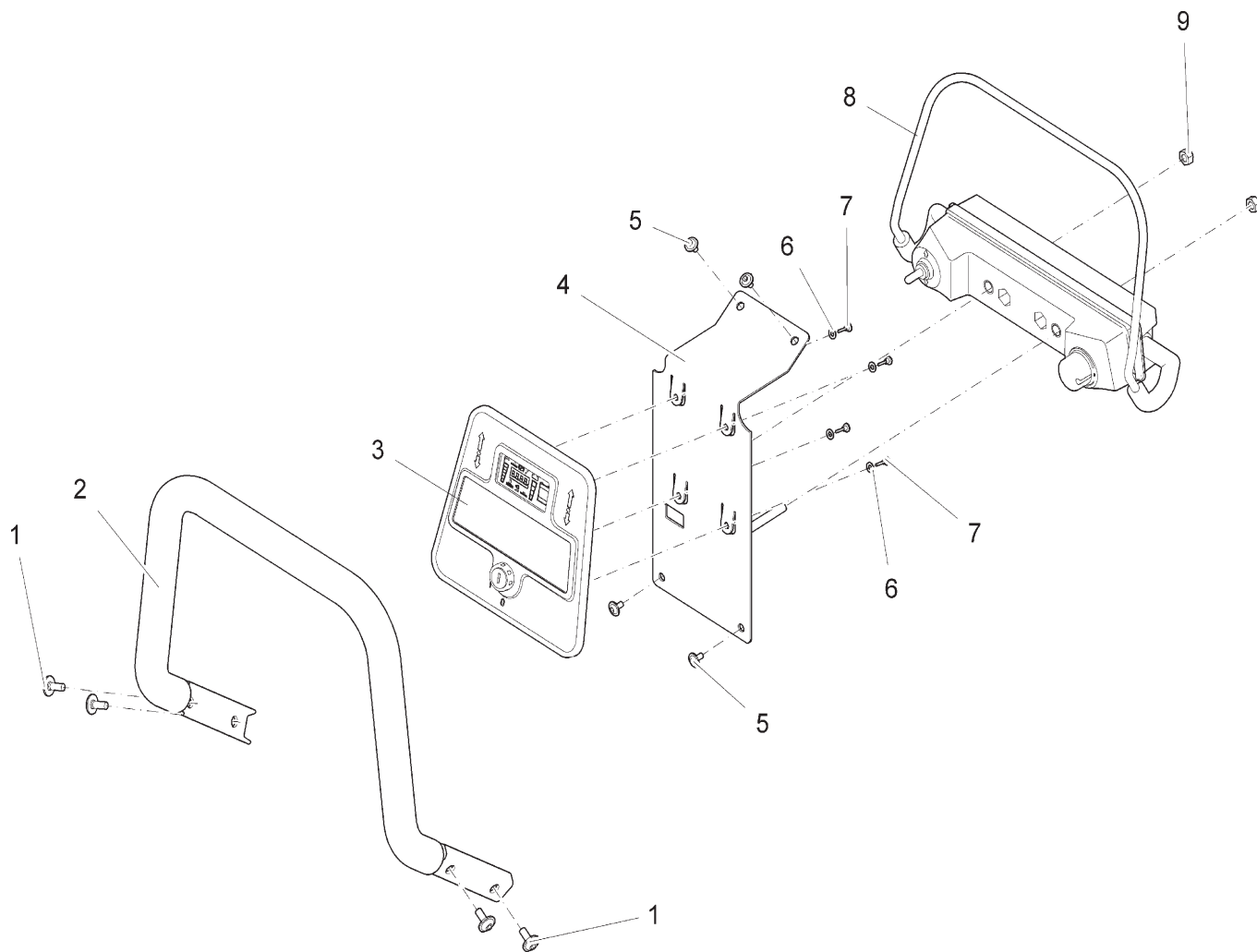
SQUEEGEE ASSEMBLY II



SQUEEGEE ASSEMBLY II BOM

Parts List			
ITEM	PART NUMBER	QTY	DESCRIPTION
1	172274	1	EDGE TRIM, 5/16 X 10" BLACK
2	172429	2	SPRING, COMP .4 ID X .5FL SS
3	172448	1	STRAP W/ LATCH, FRONT LEFT, 38" SQG
4	172450	1	BUMPER, 38" SQG
5	172539	1	SEE NOTES - 38" SQG BASE ASSY, C.S
6	430322	2	BUSHING-.435 X .625 X .50 ZINC
7	711527	2	WASHER-FLAT .63 X 1.12 X .09 ZP
8	712591	2	NUT-ACORN 1/4-20 SS
9	712592	2	SCR-BHSCS 1/4-20 X 2.25 SS
10	712772	3	WASHER-FLAT .344 X .75 X .06 SS
11	717030	2	SCR-HH M8-1.25 X 20 SS
12	840202	1	BUSHING-FLG .31 X .435 X .325 NYL
13	3400727	1	PIN-ROLL 1/8 X .50 ZINC
14	730609	2	WASHER-FLAT M8 SS
15	12515094	2	WSR-CONICAL SERRATED TOOTH M10.6 X 26 X
16	17133026	2	STAR HANDLE, M10, BLACK
17	01179170	1	SQUEEGEE, FRONT, LINATEX, 19G,26ECO,B120
18	01179180	1	SQUEEGEE, REAR, LINATEX, 19G,26ECO,B120
19	90513094	2	FIXED CASTER
20	90531112	10	WASHER-FLAT 8.3 X 22 X 1.00MM STAINLESS
21	90548397	2	ROLLER - PLASTIC, 100MM DIA. (4")
22	96125828	1	FRONT RIGHT TENSION BAND 15.327 INCHES
23	96125844	1	REAR LEFT TENSION BAND 20.559 INCHES
24	96125851	1	REAR RIGHT TENSION BAND W/ LATCH 19.484"

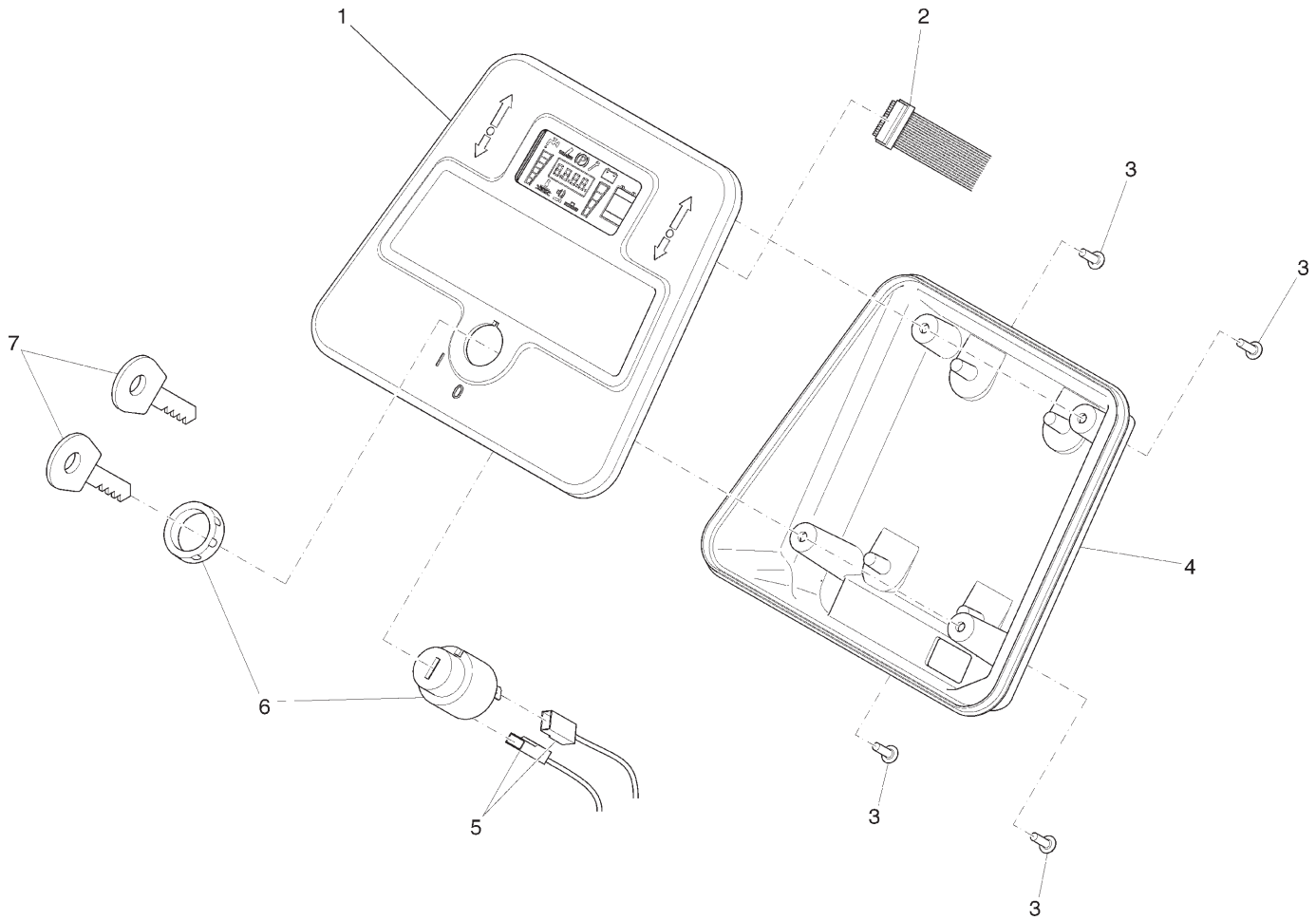
CONTROL PANEL ASSEMBLY



Parts List

ITEM	PART NUMBER	QTY	DESCRIPTION
1	11177179	4	SCR-BHCS W/FLANGE M6 X 1.0 X 10 304SS
2	90553215	1	HANDLE BAR PAINTED
3	97093801		DASH PANEL, E26
4	96117585	1	BRACKET, PANEL MOUNT
5	11177179	4	SCR-BHCS W/FLANGE M6 X 1.0 X 10 304SS
6	12310272	4	WSR-FLT M4.3 X 9 X 0.8 316SS DIN 125-B
7	11709011	4	SCR-EJOT PT M4 X 14 304SS
8	97096069	1	BAIL SYSTEM
9	12040051	2	NUT-NYLOC M8 X 1.25 ZP CLASS 8

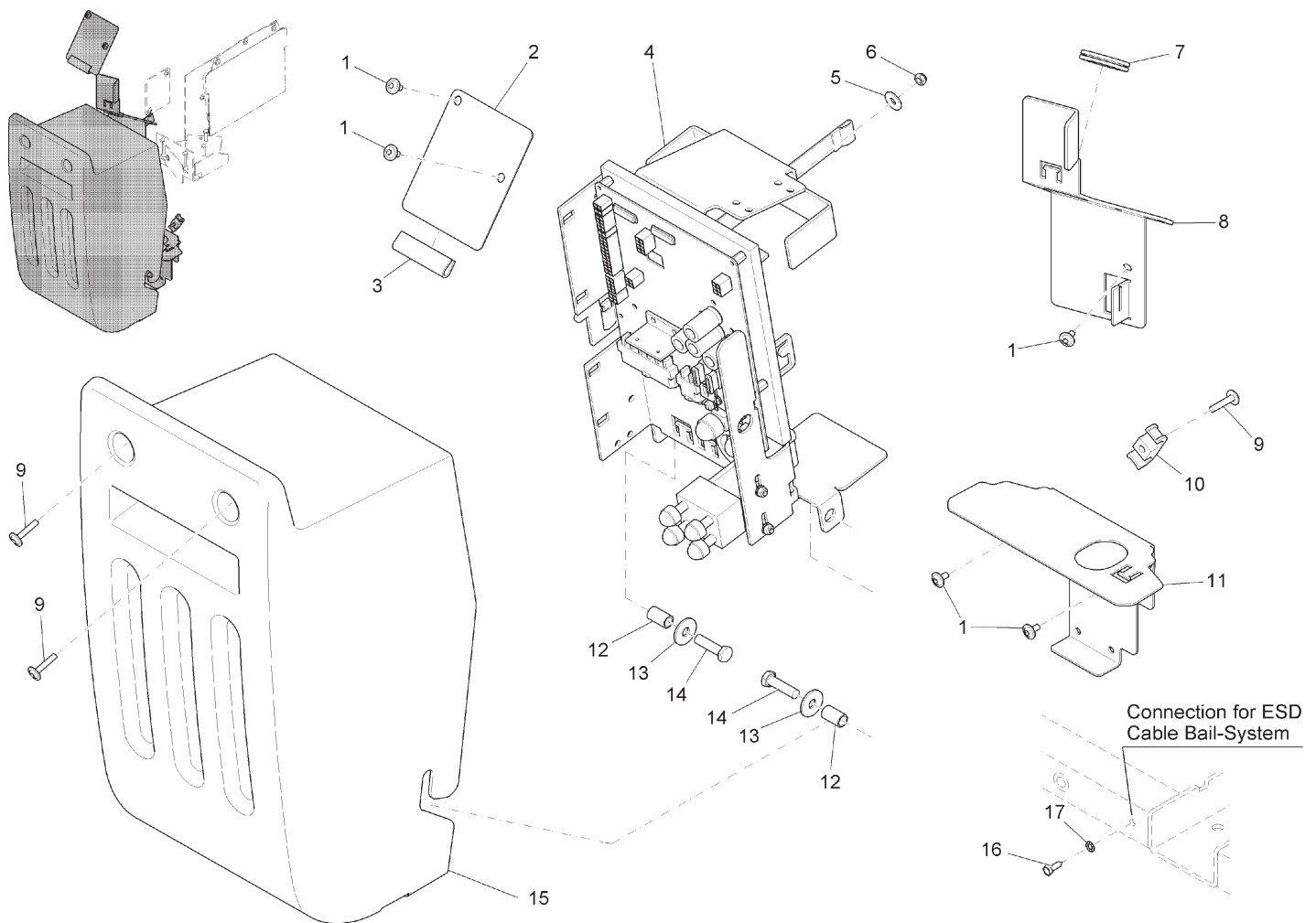
CONTROL PANEL SUBASSEMBLY



Parts List

ITEM	PART NUMBER	QTY	DESCRIPTION
1	97093801	1	DASH PANEL, E26
2	90511130	1	RIBBON CABLE
3	11702123	4	SCREW
4	90499492	1	CONSOLE
5	90518150	1	CABLE
6	90323437	1	KEY SWITCH, ON-OFF SPDT
7	00745890	1	SET (2PC.) KEY

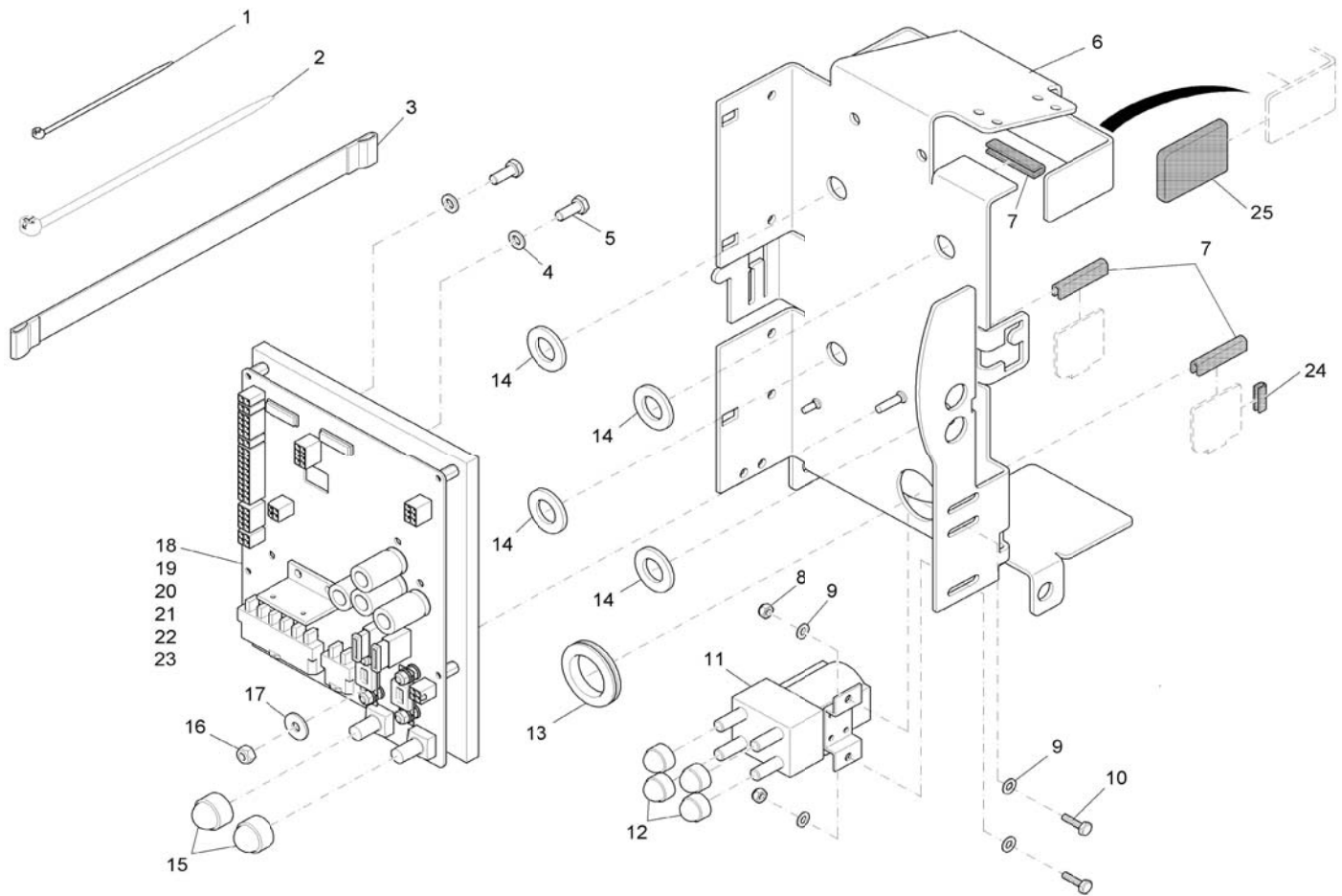
ELECTRICAL ASSEMBLY I



ELECTRICAL ASSEMBLY I BOM

Parts List			
ITEM	PART NUMBER	QTY	DESCRIPTION
1	11177179	5	SCR-BHCS W/FLANGE M6 X 1.0 X 10 304SS
2	90509803	1	COVER PLATE
3	25582024-1	1	EDGE PROTECTION
4	97099006	1	ELECTRIC PANEL SUB-ASSY
5	12347027	1	WASHER-FLAT M6.6 X 22 X 2 ZP
6	12040044	1	NUT-NYLOC M6 X 1.0 ZP CLASS 6
7	15595259	1	CABLE SLEEVE TYPE DA 300/350/30
8	90540907	1	BRACKET, ELECT. COMPARTMENT
9	11177161	3	SC-BHCS W/ FLANGE M6 X 1.0 X 25 304SS
10	17521048	1	CLAMP, CABLE- PRESS TO FLAT
11	90529165	1	BRACKET, ELECT. COMPARTMENTE
12	90499377	2	BUSHING
13	12332029	2	WSR-FLT M8.4 X 24 X 2 STL 140HV ZD DIN 9
14	11038254	2	SCR-HH M8-1.25 X 30 ZP CLASS 8.8
15	96114996	1	COVER, ELECTRICAL PANEL
16	11412038	1	SCR-ST-A HH M5.5 X 16 STL ZD DIN 7976C
17	12518080	1	WSR-EXT LOCK M5.3 X 10 X 0.6 ZP

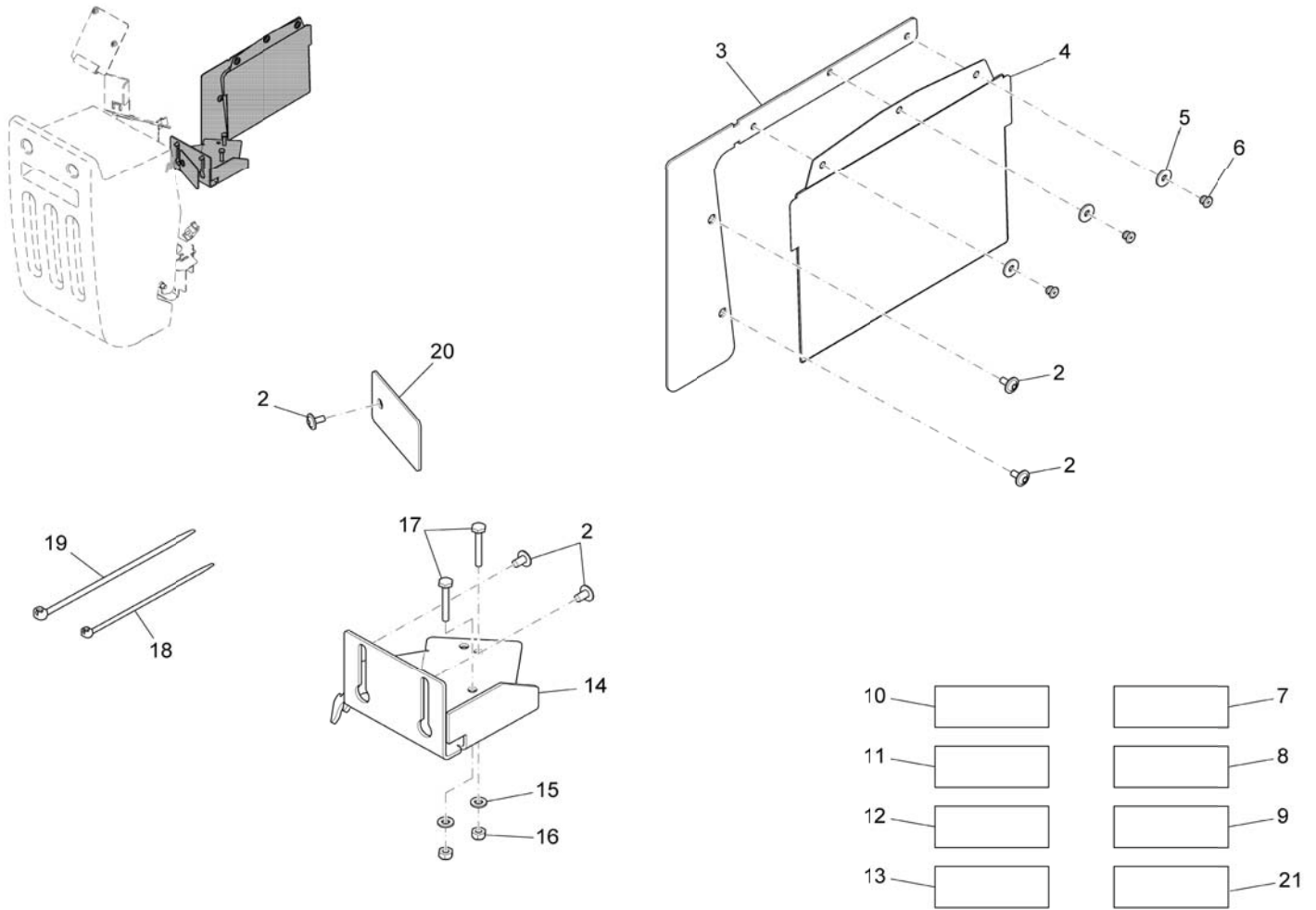
RETAINER SUBASSEMBLY



RETAINER SUBASSEMBLY BOM

Parts List			
ITEM	PART NUMBER	QTY	DESCRIPTION
1	90156688	4	CABLE TIE 14" LG BLACK
2	828062	8	CABLE TIE LARGE
3	90517699	1	WEBBING
4	12310033	2	WASHER-FLAT M6.4 X 12 X 1.6 ZP
5	11038072	2	SCR-HH M6-1.0 X 16 ZP CLASS 8.8
6	96118963	1	BRACKET, ELECTRICAL PANEL MOUNT
7	25583022	120mm	EDGE PROTECTION
8	12040036	2	NUT-NYLOC M5 X 0.8 ZD CLASS 6
9	12310025	4	WSR-FLT M5.3 X 10 X 1 STL 140HV ZD DIN 1
10	11038049	2	SCR-HH M5-0.8 X 16 ZP CLASS 8.8
11	90331026	1	RELAY, 24VDC 2 POLE NO 125A
12	15592033	4	CAP, SAFETY NUT COVER M8
13	15595259	1	CABLE SLEEVE TYPE DA 300/350/30
14	90510017	4	WASHER, RUBBER 16.5 X 30 X 3
15	15592041	2	PROTECTIVE CAP
16	12040044	1	NUT-NYLOC M6 X 1.0 ZP CLASS 6
17	12332011	1	WASHER-FLAT M6.4 X 18 X 1.6 ZP
18	97134191	1	CONTROL BOARD
19	19731140	1	FUSE, DIN 43560-B125
20	19731082	1	FUSE, DIN 72581 - C10A
21	19731181	1	FUSE, DIN 72581 - C5A T3
22	19731463	1	FUSE, DIN 72581-T3 C2A 32V
23	19731471	1	FUSE, DIN 72581-T2 B50A 80V
24	25583022	30mm	EDGE PROTECTION
25	90463746	2	CAP

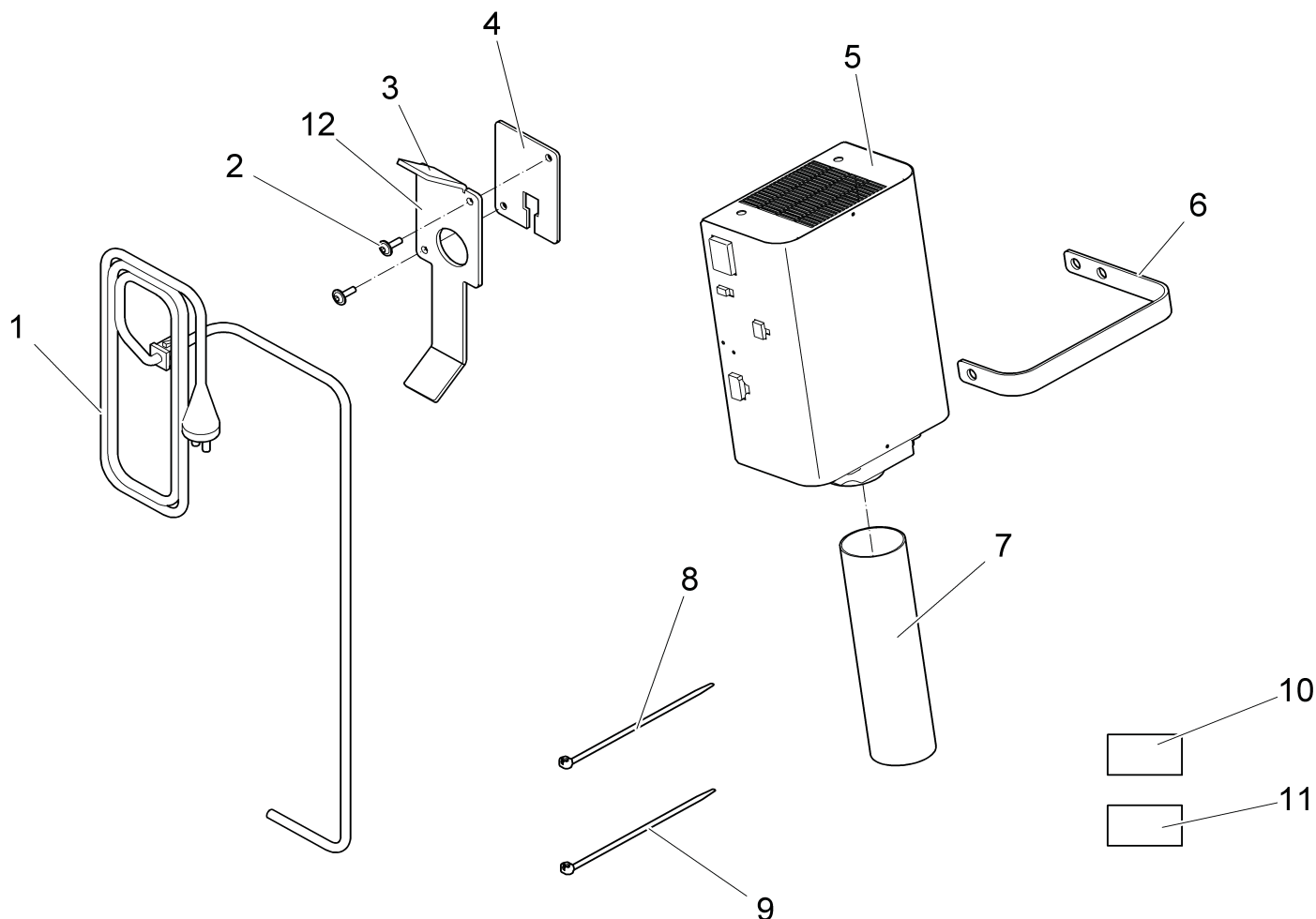
ELECTRICAL ASSEMBLY II



ELECTRICAL ASSEMBLY II BOM

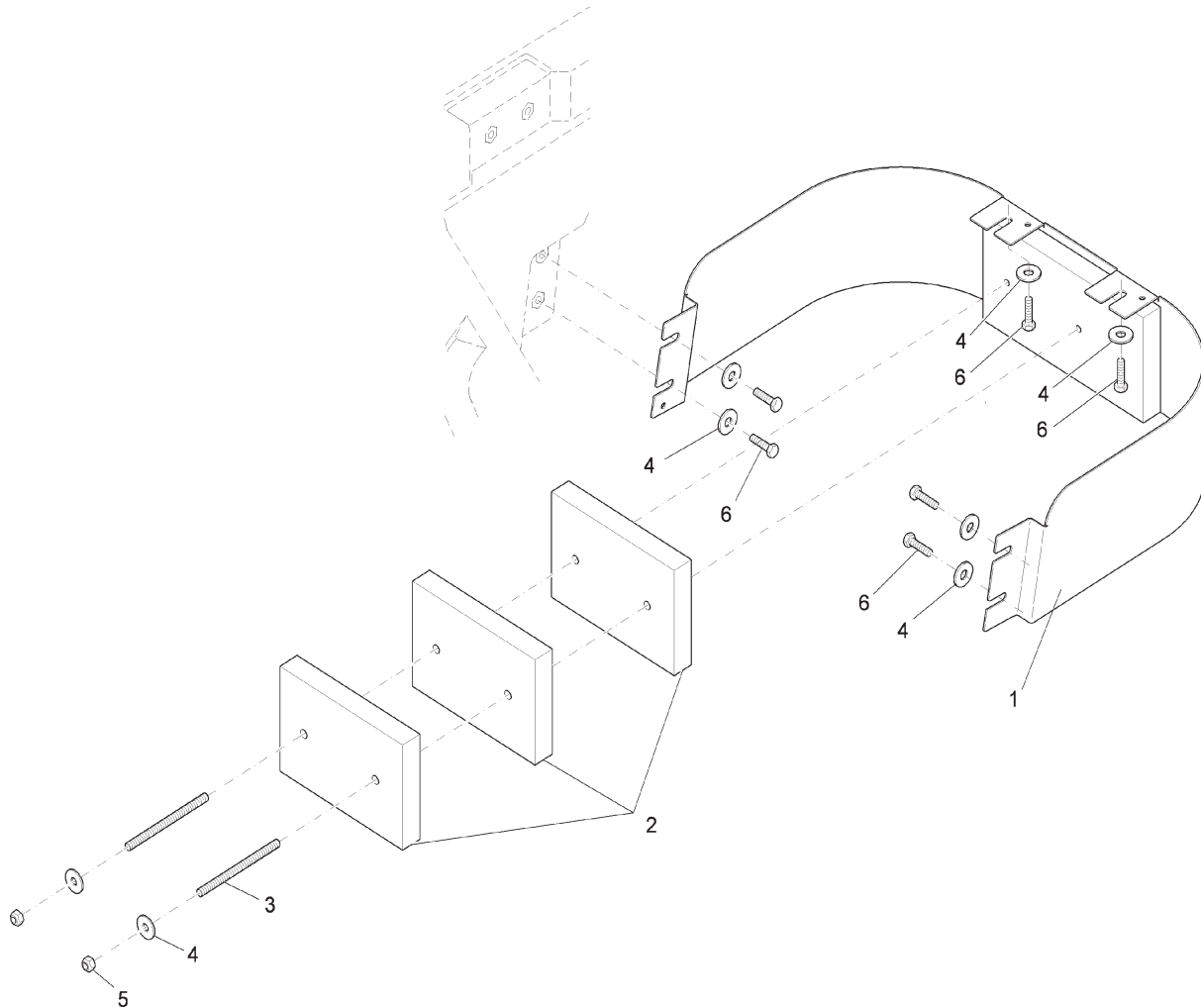
Parts List			
ITEM	PART NUMBER	QTY	DESCRIPTION
2	11177179	5	SCR-BHCS W/FLANGE M6 X 1.0 X 10 304SS
3	90511346	1	BRACKET, INSTRUCTION MANUAL POUCH
4	90465774	1	POUCH, INSTRUCTION MANUAL
5	12332052	3	WSR-FLT M5.3 X 15 X 1.2 STL 140HV ZD DIN
6	13165196	3	BLIND RIVET
7	97101349	1	WIRING HARNESS W1 C
8	97094254	1	WIRING HARNESS W2
9	97101364	1	WIRING HARNESS W3 C
10	97101398	1	WIRING HARNESS W9 C
11	97101414	1	WIRING HARNESS W11 C
12	97101489	1	CABLE SET (2 PCS), RELAY TO BOARD C
13	97101497	1	BATTERY CABLE SET (3 PCS) C
14	90512146	1	BRACKET, BATTERY DISCONNECT
15	12310033	2	WASHER-FLAT M6.4 X 12 X 1.6 ZP
16	12040044	2	NUT-NYLOC M6 X 1.0 ZP CLASS 6
17	11038817	2	BLT-HH M6 X 1.0 X 45 STL ZD 8.8 DIN 933
18	828062	12	CABLE TIE LARGE
19	90156688	18	CABLE TIE 14" LG BLACK
20	90511320	1	PLATE, WIRING RETAINER
21	97101471	1	WIRE ASSY, BATTERY SELECT JUMPER C

BATTERY CHARGER ASSEMBLY



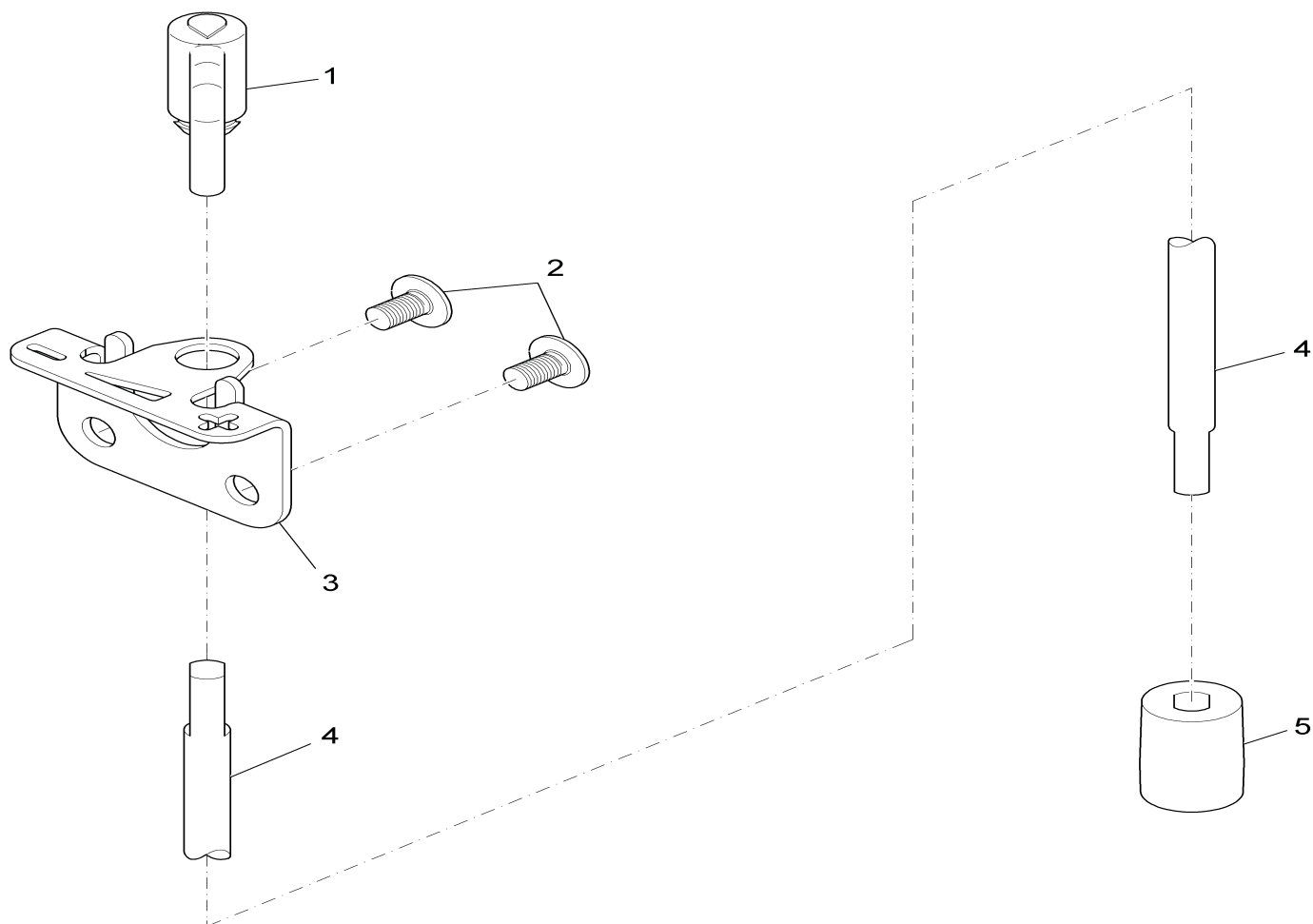
Parts List			
ITEM	PART NUMBER	QTY	DESCRIPTION
1	90532987	1	CORD 18/3 STJ 3.4M 125V 10A NEMA-15 TO I
2	11177060	2	SCR-BHCS W/ FLANGE M6 X 1.0 X 16 304SS
3	90463746	2	CAP
4	90533266	1	COVER, CORD ATTACHMENT
5	97097679	1	BATTERY CHARGER W/ CORD
6	90517665	1	TENSION BAND
7	90512575	3	HOSE
8	828062	8	CABLE TIE LARGE
9	90156688	1	CABLE TIE 14" LG BLACK
10	97101372	1	WIRING HARNESS W6 C
11	97095111	1	WIRING HARNESS, CHARGER
12	90533258	1	CORD WRAP BRACKET

DECK COVER ASSEMBLY



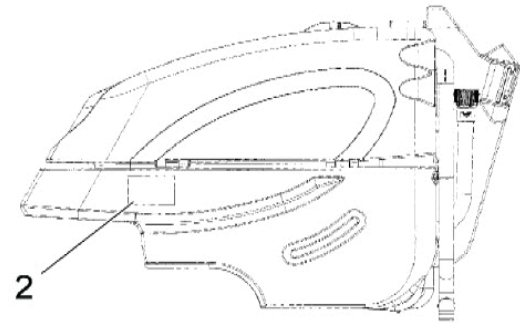
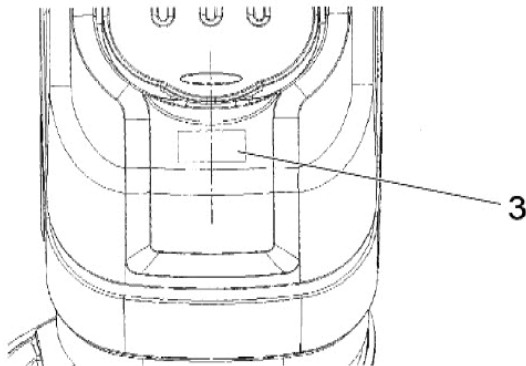
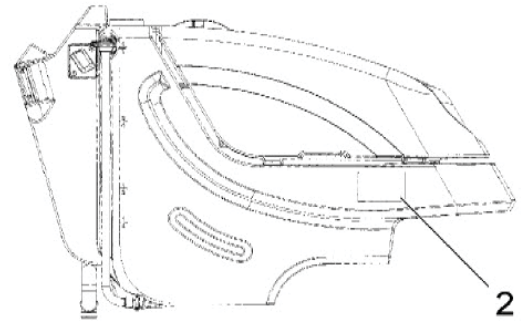
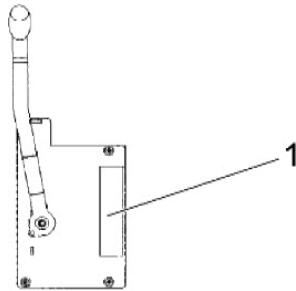
Parts List			
ITEM	PART NUMBER	QTY	DESCRIPTION
1	96115084	1	FRONT COVER WELDMENT
2	96118674	3	WEIGHT, PAINTED
3	90539255	2	THREADED ROD M8 X 1.25 X 120 STL ZD
4	12332029	2	WSR-FLT M8.4 X 24 X 2 STL 140HV ZD DIN 9
5	12040051	2	NUT-NYLOC M8 X 1.25 ZP CLASS 8
6	11038197	6	BLT-HH M8 X 1.25 X 16 STL ZD 8.8 DIN 933

SOLUTION CONTROL ASSEMBLY



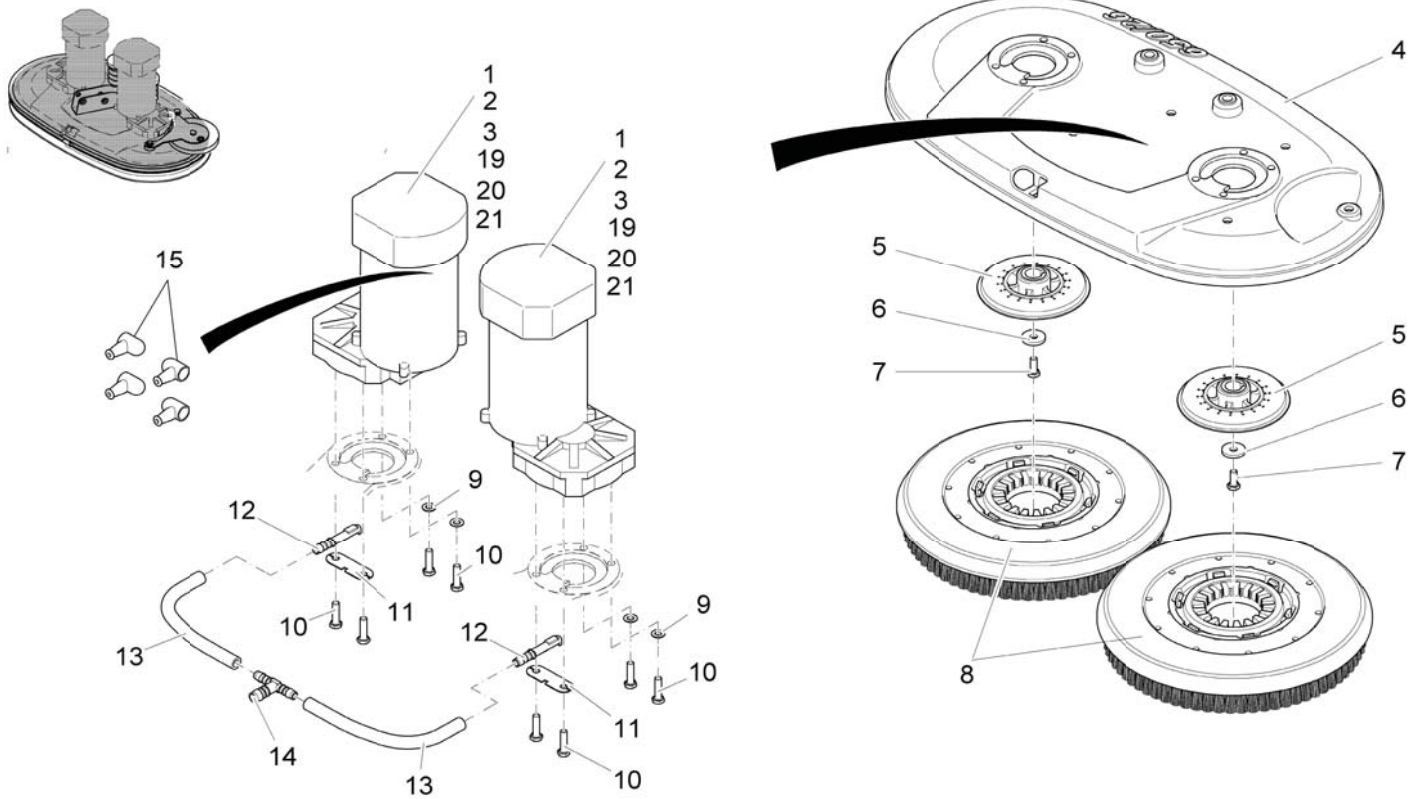
Parts List			
ITEM	PART NUMBER	QTY	DESCRIPTION
1	90502436	1	LEVER, SOLUTION CONTROL
2	11177179	2	SCR-BHCS W/FLANGE M6 X 1.0 X 10 304SS
3	90502444	1	BRACKET, SOLUTION CONTROL LEVER
4	90502618	1	SHAFT, SOLUTION CONTROL
5	90502428	1	SHAFT CONNECTOR

DECALS



Parts List			
ITEM	PART NUMBER	QTY	DESCRIPTION
1	17267212	1	DECAL DETAILS
2	715688	2	DECAL PHOENIX
3	651002	1	DECAL, POWERBOSS SMALL, POLYDOME

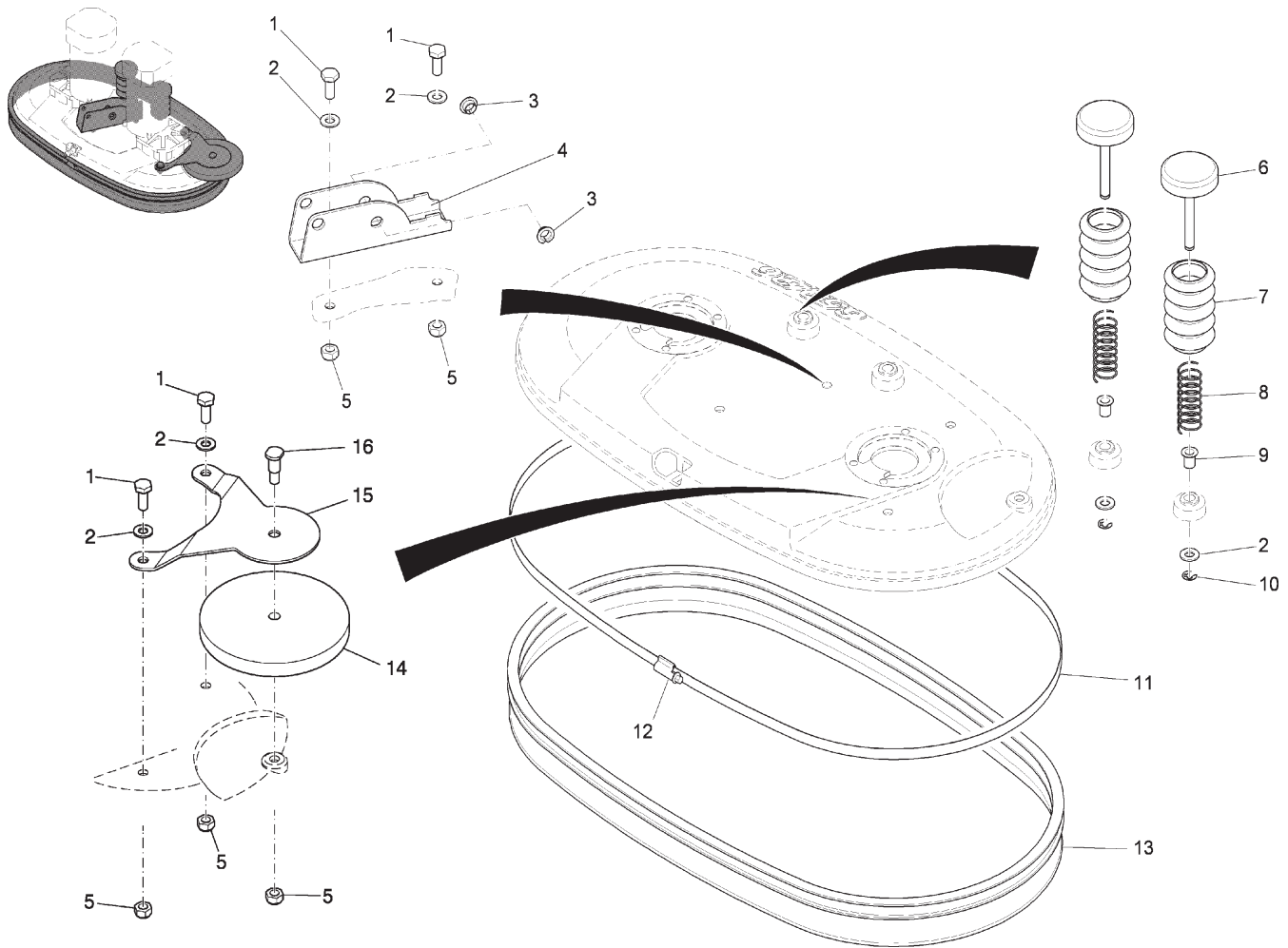
DISC SCRUB DECK ASSEMBLY I



DISC SCRUB DECK ASSEMBLY I BOM

Parts List			
ITEM	PART NUMBER	QTY	DESCRIPTION
1	90507476	2	MOTOR, 24VDC PM 550W THERMAL SWITCH
2	01077230	2	FITTING KEY
3	01077240	1	SET (4PC.) CARBON BRUSH
4	90503178	1	BRUSH DECK HOUSING 26" DISK
5	90324369	2	USE 00512400 CARRIER, DRIVE HUB
6	90209537	2	WSR-FLT .34 X 1.09 X .165 ZINC
7	11038213	2	BLT-HH M8 X 1.25 X 20 STL ZD 8.8 DIN 933
8	90324369	2	USE 00512400 CARRIER, DRIVE HUB
9	730609	4	WASHER-FLAT M8 SS
10	11038254	8	SCR-HH M8-1.25 X 30 ZP CLASS 8.8
11	90500216	2	BRACKET, WATER NOZZLE RETAINER
12	90500265	2	FITTING, WATER NOZZLE
13	90500257	2	HOSE-NYLO REINF 3/8 X 9"
14	90275157	1	FTG-TEE 1/2 HB X 3/8 HB X 3/8 HB NYLON
15	746050	4	INSULATOR CAP, TERMINAL RED
19	01077250	1	SPRING
20	01077210	1	GEAR
21	01077220	1	CIRCLIP

DISC SCRUB DECK ASSEMBLY II



DISC SCRUB DECK ASSEMBLY II BOM

Parts List			
ITEM	PART NUMBER	QTY	DESCRIPTION
1	11038346	4	SCR-HH M10-1.5 X 25 ZD CLASS 8.8
2	12310298	6	WASHER
3	14895197	2	BUSHING-FLG M12 X 14 X 20-7 AMV BV
4	90547894	1	BRACKET, DISK BRUSHDECK MOUNT
5	12040069	5	NUT-NYLOC M10 X 1.5 ZD CLASS 6
6	96112388	2	EJECTOR, BRUSH KNOCK OFF
7	90500232	2	BELLOW
8	90500208	2	COMPRESSION SPRING
9	14895437	2	BUSH-FLG NYL, GFM-1012-17 (10X12X17X1)
10	12640033	2	RETAINING RING, EXTERNAL 10MM DIN 6799-8
11	17528548	1	TENSION BAND - CUT TO 97.5" +0"/-.5"
12	17528555	1	TENSION BAND LOCK
13	90539784	1	SEALING STRIP, E26 DISC DECK
14	90500224	1	DEFLECTOR ROLLER, 165MM
15	90500273	1	BRACKET, ROLLER RETAINER
16	90576729	1	BLT-SHLD, M10X1.5 X 20, STL ZINC

PowerBoss®
The Power of Clean

'The Power of Clean'

**PowerBoss® is a Full Line Manufacturer of Sweepers and Scrubbers,
for Industrial Facilities.**

PowerBoss®, Minuteman International, Inc. 14N845 U.S. Route 20 Pingree Grove, Illinois 60140
Phone: 800-323-9420 www.PowerBoss.com Email: tech@powerboss.com
A Member of the Hako Group

Phoenix 26 Walk-Behind Scrubber #988026PB Rev. E 06/22
PowerBoss® Copyright 2014-2015